

Accusense™ Voltage Sensor

VS-27-0

Accusense™ voltage sensors are a high accuracy-class capacitive voltage-sensing solution that enable users to collect critical voltage data needed for optimizing grid power delivery and reliability. Accusense voltage-sensing technology is an alternative to traditional metering class voltage-transformers and is available as a stand-alone voltage metering system or with Viper® reclosers as a site-ready solution.

TECHNICAL PARAMETERS

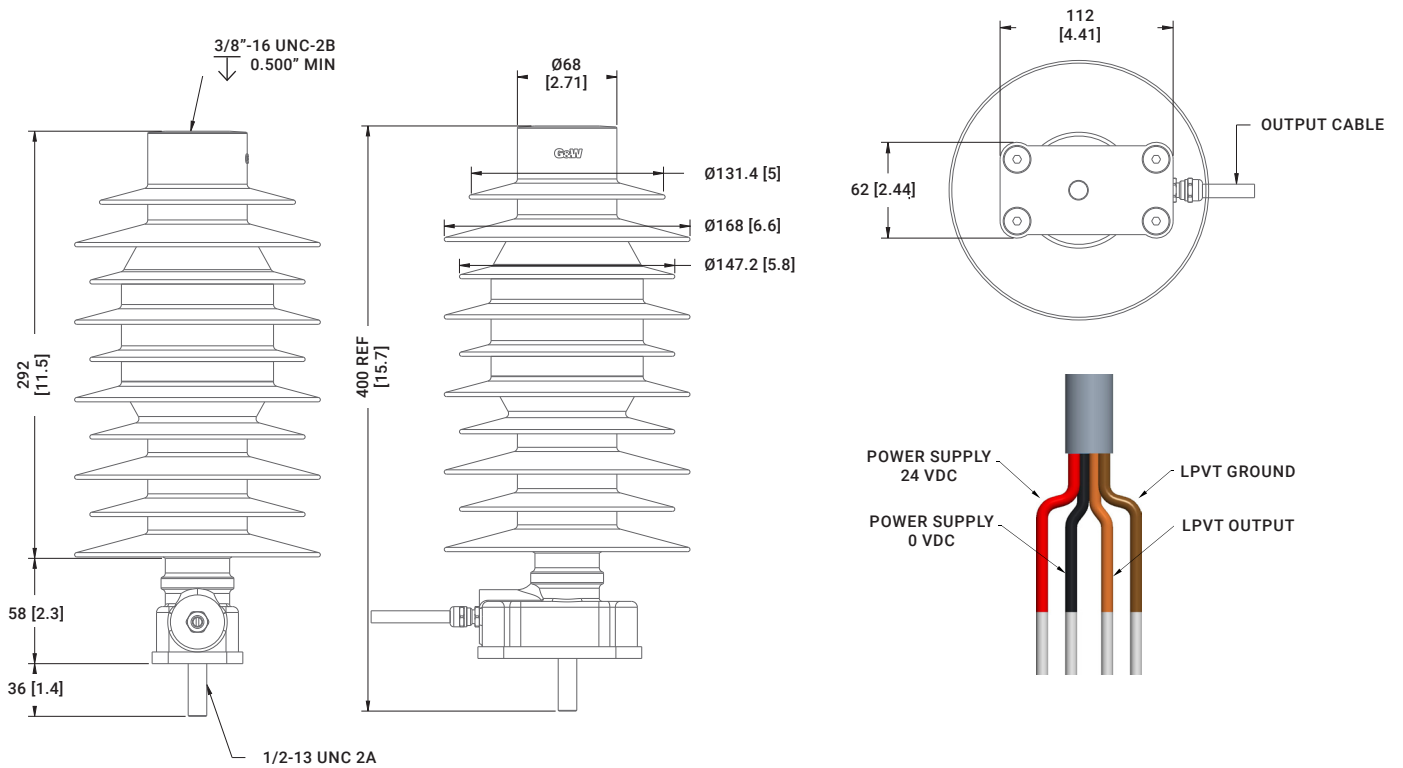
Rated insulation level	27/60/170 kV
Accuracy class *	For protection 3P
	For measurement 0.5
Rated primary voltage, U_{pn} *	$27/\sqrt{3}$ kV
Maximum voltage, U_m	27 kV
Rated secondary voltage, U_{sn} *	3.1 V (LEA)
Rated voltage factor, K_u	1.9 for 8h
Nominal frequency	50 / 60 Hz
Nominal transformation ratio, K_n *	5000 V : 1 V
Supply voltage	12 - 36 Vdc
Max. Supply Current	30 mA
Creepage distance	1005mm
Primary terminal capacity	3 pF
Weight	4.5 kg (10 lb)
Applicable Standards	IEC 60044-7, IEEE C37.92-2005
Bandwidth (-3 dB)	30 Hz – 30 kHz
Accuracy on harmonics	High bandwidth applications as per IEC 61869-6



VS-27-0

* Parameters customized upon request up to $27/\sqrt{3}$ kV.

VS-27-0 Drawing



All dimensions in mm and [inches].

For more information

please visit our website: www.gwelectric.com/high-accuracy-sensors



Since 1905, G&W Electric has been a leading provider of innovative power grid solutions including the latest in load and fault interrupting switches; reclosers; sensors; system protection equipment; power grid automation; transmission and distribution cable terminations; and joints and other cable accessories. G&W Electric is headquartered in Bolingbrook, Illinois, U.S.A., with manufacturing facilities and sales support in more than 100 countries, including Canada, Italy, China, Mexico, Brazil, India and Singapore. We help our customers meet their challenges and gain a competitive edge through a suite of advanced products and technical services.