

Padmount Style SF₆ Insulated Switching Solutions

Providing load and fault interrupting switching for systems rated through 38kV, 900A continuous, to 25kA symmetrical interrupting



- Smart Grid/Lazer® Solutions
- Front and front/back access designs
- Dead-front designs
- Compact construction
- Maintenance-free operation
- Two and three position switching
- Mounting flexibility
- Ease of Automation

General Features

Since 1905, G&W has provided custom power solutions to utilities and electric power users around the world. G&W has a wide selection of reliable, quality switching and fault interrupting products to meet the most stringent customer requirements. Whether the application involves load switching, line sectionalizing, fault interruption or distribution automation, G&W can provide a solution for distribution system switching and protection. When specifying switchgear, consider these features:

MAXIMUM OPERATOR SAFETY

SF₆ gas is a nontoxic, nonflammable switching dielectric. Dead-front switch construction eliminates any exposed live parts. Spring-assisted mechanisms assure quick-make, quick-break operation. Viewing windows permit visual verification of open or closed contacts. Tamper-resistant enclosures utilize penta-head bolts and padlocking provisions. Motor actuators are available permitting remote operation. The result is maximum operator safety.

MINIMAL MAINTENANCE

G&W SF₆ switches are corrosion-resistant, totally sealed and factory filled. No more field adjustments of critical contact areas or concerns with environmental contamination or intrusions. A periodic check of the pressure gauge is all that is required. Galvaneal type enclosures assure maximum corrosion resistance.

APPLICATION VERSATILITY

Multi-way Configurations — Switches are available for either two-position or three-position (incorporating an integral ground, tie or test position) switching. Single or multiple sources can feed multiple loads. Bus tie configurations are available permitting multiple sources to feed different loads within the same switch.

Mounting Flexibility — Horizontal and vertical configurations are available with operating apparatus accessible from the front, top or side compartments. Enclosures are removable for easy cable installation or field replacement.

Bushing Variety — Many bushing styles are available including an exclusive disconnectable style permitting field changeout. Cable entry can be bottom, front, back or side.

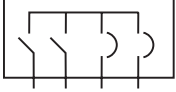
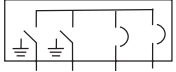
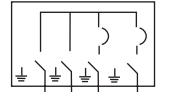
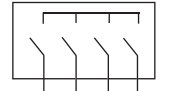
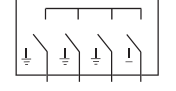
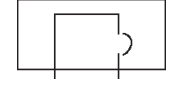
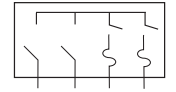
Visible Break — Load break switches can incorporate a visible break of all three phases.

Overcurrent Protection — Fusing or electronically controlled, resettable vacuum interrupters are available.

Smart Grid / Lazer Solutions — Complete distribution automation and Smart Grid solutions are available including automatic transfer. G&W's Lazer distribution automation systems provide pre-engineered, time-proven solutions for automatic power restoration.



Table of Contents

Typical One-Line Diagram	Application	G&W Switch Style	Page
	Load break switching and fault interrupting	RPM - most compact footprint LPFI - superior switch contact viewing PNI/PNI-L - 38kV and high interrupting ratings PVI - available with 1-phase tripping	5 6 7, 15 8, 13
	Load break switch with integral ground and fault interrupting	TFI - Triad Series 1 with 3-phase tripping TVI - Triad Series 1 with 1-phase tripping	17 18, 20
	Load break with integral ground and fault interrupting with integral ground	TNI - Triad Series 2	22
	Load break switching only	SPRAM-F - front operators and diagonal bushings PRAM-F - front operators and in-line bushings PRAM-L - front operators, back bushings	24 24 26
	Load break with integral ground	T-RP - front operators and in-line bushings	27
	Fault interrupting only	PFI with 3-phase tripping PVI with 1-phase tripping PNI for 38kV, to 25kA	28 28 28
	Load break switching with current limiting fuses	FPRAM to 40A	29

Contact Principles	pages 30-34
Automation	pages 35-36
Accessories / Options	pages 37-42

Load and Fault Interrupting Switches

PUFFER VACUUM INTERRUPTERS

G&W load and fault interrupting combination switches combine the total cost and operating benefits of fuseless, electronically controlled, resettable overcurrent protection with the safety and maintenance benefits of a totally sealed, dead-front, SF₆ insulated device. The switches are designed for automatic single or three phase fault interruption with manual load break capabilities for systems through 35kV, 630A continuous. Ratings to 900A continuous are available on certain models. Single side access designs are available for confined space applications.

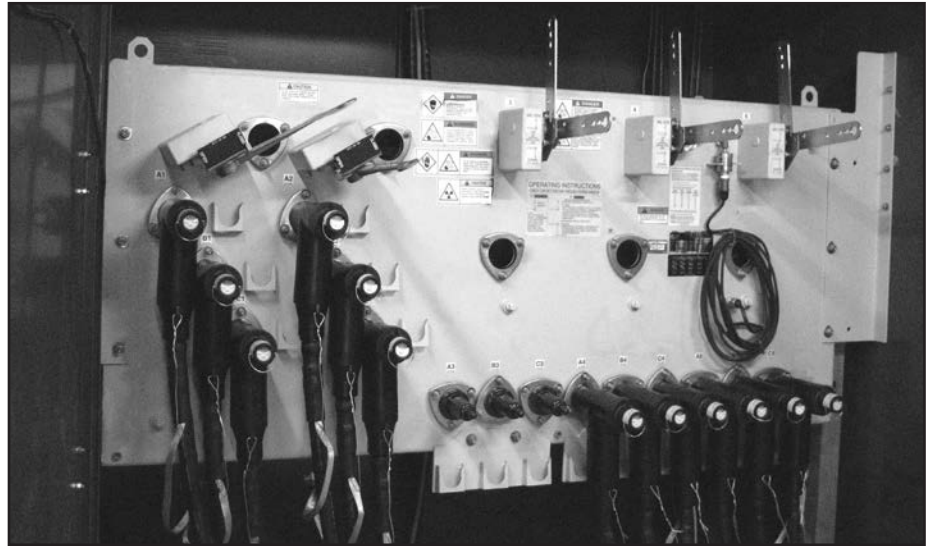
FEATURES

Operator Safety — G&W combination switches are totally sealed, dead-front and insulated with nonflammable, nontoxic SF₆ gas. Operators are spring assisted for positive quick-make, quick-break operation. A trip-free mechanism permits interruption independent of the operating handle if closing into a fault. Viewing windows permit visible indication of interrupter contact position.

Minimal Maintenance — No more routine inspections or dielectric testing as with oil gear. No more contact contamination, rodent problems or insulator maintenance as with air gear. A periodic check of the gas pressure gauge is all that is required.

Three Phase Tripping — No more single phasing problems. Simultaneous three phase tripping is available through the electronics and with three phase operating handles for manual operation and reset.

Protection Curve Compatibility — G&W solid state electronic controls permit extremely accurate, consistent protection curve characteristics compared to conventional fuses. The exclusive controls can emu-



▲ PNI single side access switch.

late the most common time current curves (TCC) for power fuses, relays and fuse links (oil fuse cutouts). Optional controls can provide ground trip, inrush restraint and adjustable time delay capability.

Fully Tested — Switches are designed and tested per applicable sections of IEEE C37.72, C37.74 C37.60, and IEC 265 standards.

APPLICATIONS

G&W combination switches provide a direct replacement for power fused air and vacuum-in-oil switchgear. Some ideal applications include:

Transformer and Motor Protection — The three phase trip feature and high continuous current make PVI's ideal for protecting three phase motors and transformers through 600A continuous.

Loop and Tap Switching — Standard 630A and optional 900A loop switching is accomplished using the latest puffer technology. Tap switching through 630A and up to 25kA symmetric fault protection is accomplished using resettable, electronically controlled vacuum interrupters. The vacuum interrupters also function as load break switches.

Automatic Transfer — For critical load applications, switches can be supplied with an automatic transfer control package to provide automatic transfer from one source to another to minimize downtime.

Smart Grid / Lazer Solutions — Switches can be supplied with motor actuators on both the line and load side providing remote control capability. Various control packages including portable controls are available.

For Smart Grid applications, G&W works with the top control manufacturers of the industry, including Schweitzer and GE, to match the right control for the job. For automatic power restoration, G&W's Lazer solution provides a pre-engineered, field proven system which can be pre-assembled and factory tested prior to shipment.

Metalclad Switchgear Replacement — Front access designs can provide up to a 900A rated main bus with up to six 25kA symmetric protected load ways for a compact, economical alternative to metalclad and metal enclosed line-ups. All switches can be equipped with SEL relays, providing flexibility, as well as complete remote monitoring and control capabilities.

Load and Fault Interrupting Switches

TWO POSITION, FRONT ACCESS, PUFFER VACUUM INTERRUPTERS

ROTARY PUFFER (RPF)

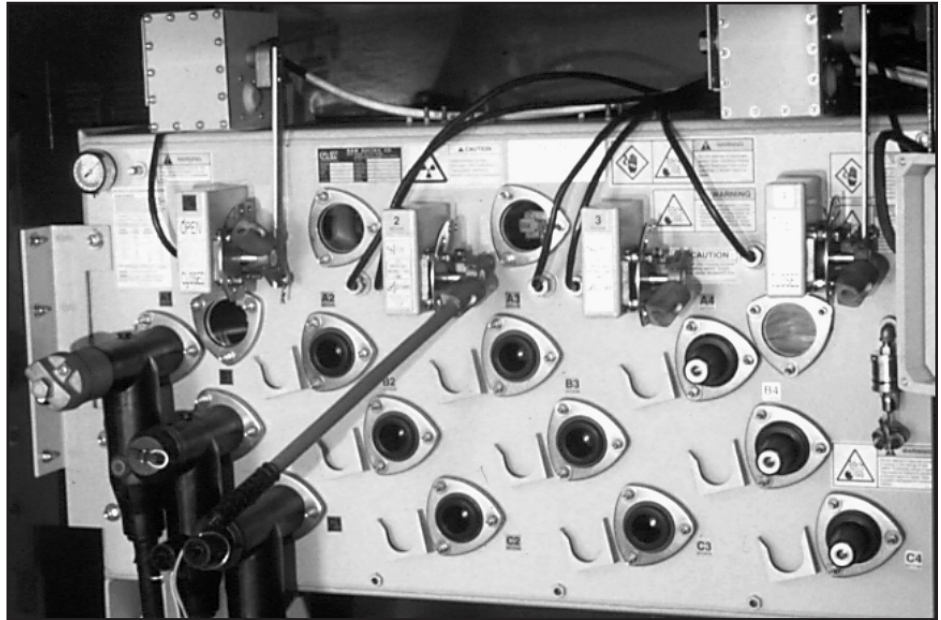
Diagonal bushing configurations.
Provides smallest footprint with three
phase interrupting.

Load break switch (RP) ratings

Maximum design voltage,	kV	15.5	27	
Voltage class,	kV	15	25	
Impulse level (BIL)	kV	110	125	
One minute withstand,	AC kV	35	60	
One minute withstand,	Production test rating	AC kV	34	40
15 minute withstand,	DC kV	53	78	
Continuous and load break current,	Amps	630	630	
Momentary current,	kA asym	25.6	20	
Fault-close current, (3 times)	kA asym	25.6	20	
One second current,	kA sym	16	12.5	
Operations load interrupting	endurance (15kV)	at 600A	500	350
Mechanical endurance,	operations	2000	2000	

Fault interrupter (FI) ratings

Maximum design voltage,	kV	15.5	27	
Voltage class,	kV	15	25	
Impulse level (BIL),	kV	110	125	
One minute withstand,	AC kV	50	60	
One minute withstand,	Production test rating	AC kV	34	40
15 minute withstand,	DC kV	53	78	
Continuous and load break current,	Amps	630	630	
Symmetrical interrupting rating,	kA	12.5	16	



▲ Automated RPF-9F.

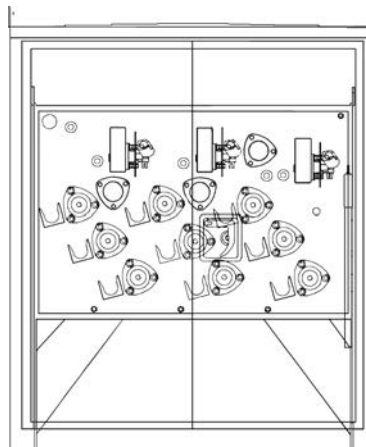
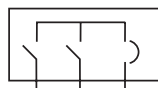
IEEE C37.60

Fault Interrupting Duty

Total number of fault interruptions: 116

Percent of Maximum Interrupting Rating	Approx. Interrupting Current, Amps	No. of Fault Interruptions
15-20%	2,000	44
45-55%	6,000	56
90-100%	12,500	16

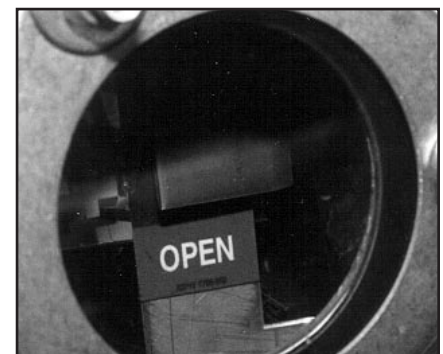
Manually operated RPF-6F shown.



▲ Load break operating handle.



▲ Fault interrupter operating handle.



▲ Fault interrupter position indicator.

Load and Fault Interrupting Switches

TWO POSITION, FRONT ACCESS PUFFER VACUUM INTERRUPTERS CONTINUED

LINEAR PUFFER (LPFI)

Provides load break switch with visible break and three phase fault interrupting.

Load break switch (LP) ratings

Maximum design voltage,
kV 15.5 27 38

Voltage class,
kV 15 25 35

Impulse level (BIL),
kV 110 125 150

One minute withstand,
AC kV 35 60 70

One minute withstand,
Production test rating
AC kV 34 40 50

15 minute withstand,
DC kV 53 78 103

Continuous and load break current,
Amps 630 630 630

Momentary current,
kA asym 40 40 40

Fault-close current, (3 times)
kA asym 40 40 40

One second current,
kA sym 25 25 25

Open gap withstand,
kV 200 200 200

10 operation overload interrupting
capability,
Amps 3000 3000 3000

Operations load interrupting
at 600A 1200 1200 1200

Mechanical endurance,
operations 2000 2000 2000

Fault interrupter (FI) ratings

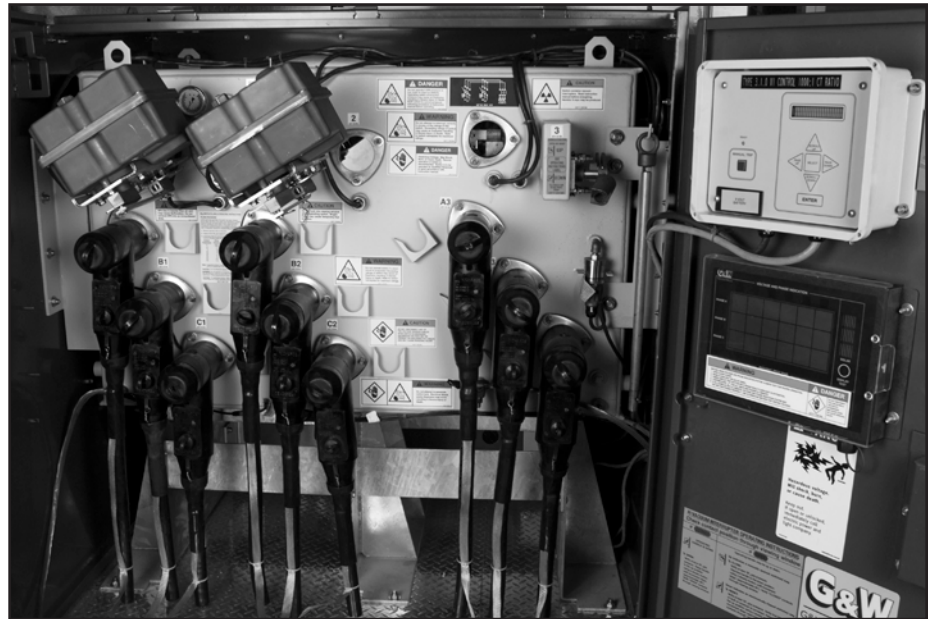
Voltage class,
kV 15 25

Impulse level (BIL),
kV 110 125

One minute withstand,
AC kV 50 60

One minute withstand,
Production test rating
AC kV 34 40

15 minute withstand,
DC kV 53 78



▲ Automated LPFI-9F.

Continuous and load break current,
Amps 630 630

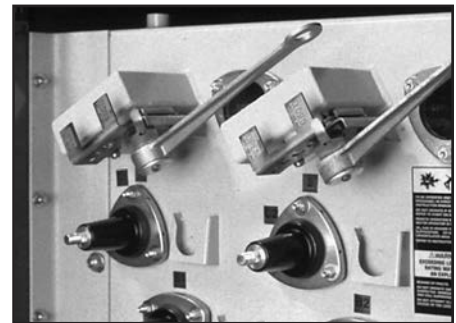
Symmetrical interrupting rating,
kA 12.5 16

IEEE C37.60

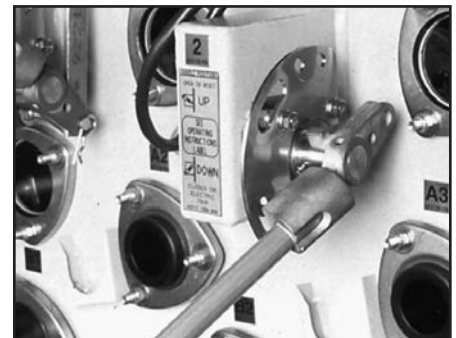
Fault Interrupting Duty

Total number of fault interruptions: 116

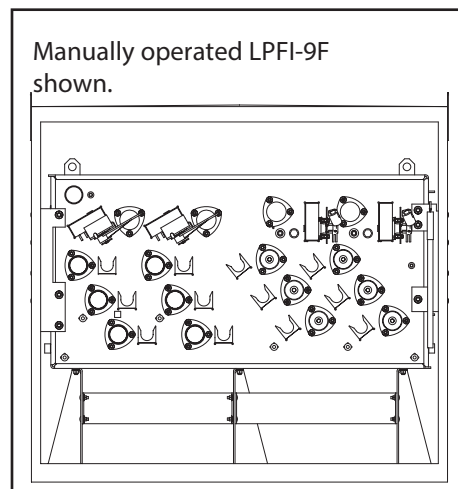
Percent of Maximum Interrupting Rating	Approx. Interrupting Current, Amps	No. of Fault Interruptions
15-20%	2,000	44
45-55%	6,000	56
90-100%	12,500	16



▲ Hookstick operable load break handle.



▲ Fault interrupter operating handle.



Manually operated LPFI-9F shown.



▲ Load break switch visible break.

Load and Fault Interrupting Switches

TWO POSITION, FRONT ACCESS, PUFFER VACUUM INTERRUPTERS

CONTINUED

LINEAR PUFFER (PNI)

Provides load break switch visible break with 25kA symmetrical three phase fault interrupting.

Load break switch (LP) ratings

Maximum design voltage,
kV 15.5 27 38

Voltage class,
kV 15 25 35

Impulse level (BIL),
kV 110 125 150

One minute withstand,
AC kV 35 60 70

One minute withstand,
Production test rating
AC kV 34 40 50

15 minute withstand,
DC kV 53 78 103

Continuous and load break current,
Amps* 630 630 630

Momentary current,
kA asym 40 40 40

Fault-close current, (3 times)
kA asym 40 40 40

One second current,
kA sym 25 25 25

Open gap withstand,
kV 200 200 200

10 operation overload interrupting
capability,
Amps 3000 3000 3000

Operations load interrupting
at 600A 1200 1200 1200

Mechanical endurance,
operations 2000 2000 2000

*900A continuous available

Fault interrupter (NI) ratings

Maximum design voltage,
kV 15.5 27 38

Voltage class,
kV 15 25 35

Impulse level (BIL),
kV 110 125 150

One minute withstand,
AC kV 50 60 70

One minute withstand,
Production test rating
AC kV 34 40 50

15 minute withstand,
DC kV 53 78 103



▲ Front access PNI with load break rotary operator and interrupter single operating handle.

◀ Optional load break switch rotary operator.

Continuous and load break current,
Amps 630 630 630
Symmetrical interrupting rating,
kA 25 25 12.5**
**25kA available

IEEE C37.60

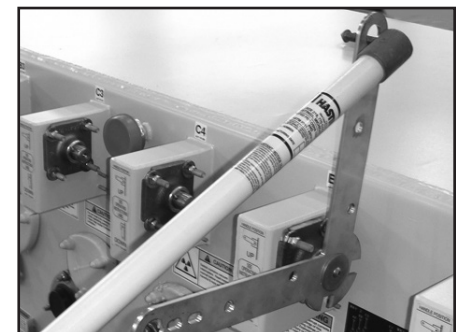
Fault Interrupting Duty

Total number of fault interruptions: 116

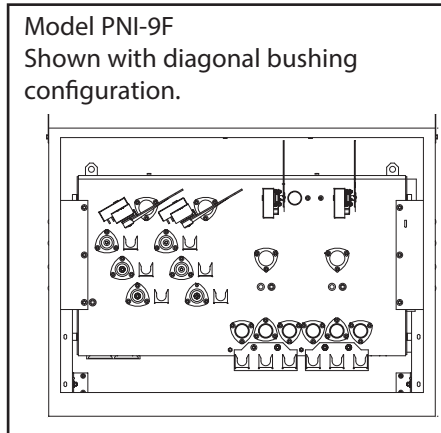
Percent of Maximum Interrupting Rating	Approx. Interrupting Current, Amps	No. of Fault Interruptions
15-20%	5,000	44
45-55%	12,500	56
90-100%	25,000	16



▲ Hookstick operable load break handle.



▲ Interrupter with dual operating handle.



Model PNI-9F

Shown with diagonal bushing configuration.



▲ Load break switch visible break.

Load and Fault Interrupting Switches

TWO POSITION, FRONT ACCESS, PUFFER VACUUM INTERRUPTERS CONTINUED

LINEAR PUFFER (PVI)

Provides load break switch with visible break and single phase or three phase fault interrupting. Fault interrupters can be changed from single phase to three phase operation in the field.

Load break switch (LP) ratings

Maximum design voltage,
kV 15.5 27 38

Voltage class,
kV 15 25 35

Impulse level (BIL),
kV 110 125 150

One minute withstand,
AC kV 35 60 70

One minute withstand,
Production test rating
AC kV 34 40 50

15 minute withstand,
DC kV 53 78 103

Continuous and load break current,
Amps* 630 630 630

Momentary current,
kA asym 40 40 40

Fault-close current, (3 times)
kA asym 40 40 40

One second current,
kA sym 25 25 25

Open gap withstand,
kV 200 200 200

10 operation overload interrupting
capability,
Amps 3000 3000 3000

Operations load interrupting
at 600A 1200 1200 1200

Mechanical endurance,
operations 2000 2000 2000

*900A continuous available

Fault interrupter (VI) ratings

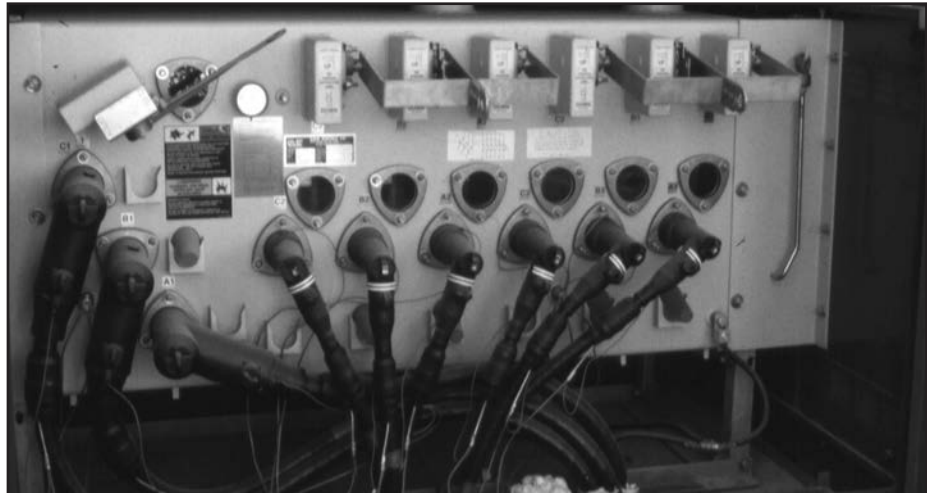
Maximum design voltage,
kV 15.5 27 38

Voltage class,
kV 15 25 35

Impulse level (BIL),
kV 95 125 150

One minute withstand,
AC kV 50 60 70

One minute withstand,
Production test rating
AC kV 34 40 50



▲ Model PVI-7F with three phase operating handle.

15 minute withstand,
DC kV 53 78 103
Continuous and load break current,
Amps 630 630 630
Symmetrical interrupting rating,
kA** 12 12 12
**20kA available

IEEE C37.60

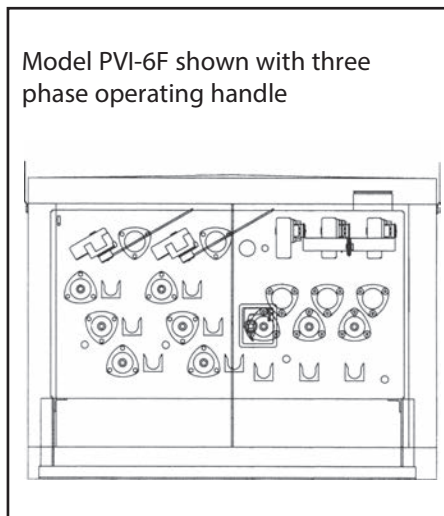
Fault Interrupting Duty

Total number of fault interruptions: 116

Percent of Maximum Interrupting Rating	Approx. Interrupting Current, Amps	No. of Fault Interruptions
15-20%	2,000	44
45-55%	6,000	56
90-100%	12,000	16



▲ Hookstick operable load break handle.



Model PVI-6F shown with three phase operating handle



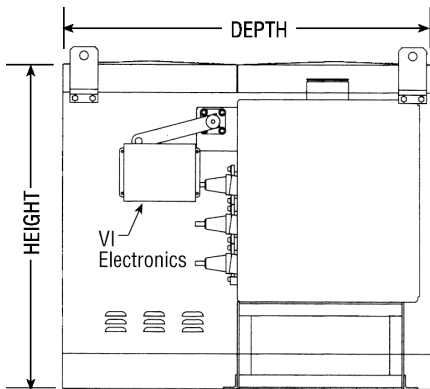
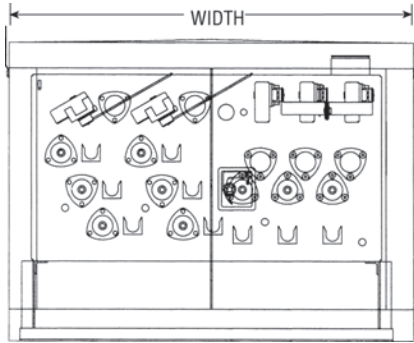
▲ Single phase interrupter operating handles.



▲ Load break switch visible break.

Load and Fault Interrupting Switches

TWO POSITION, FRONT ACCESS, PUFFER VACUUM INTERRUPTERS CONTINUED



For typical specifications, go to:
gwelec.com/specs.html

For contact principle, see pages 30-33.

Switch Style Height and Depth:

For RPFI styles:

height = 59" (1499mm),
depth = 49" (1245mm).

For LPFI styles:

height = 61" (1549mm),
depth = 54" (1372mm).

For PNI styles:

height = 65" (1651mm),
depth = 55" (1397mm).

For PVI styles:

height = 57" (1448mm),
depth = 54.5" (1384mm).

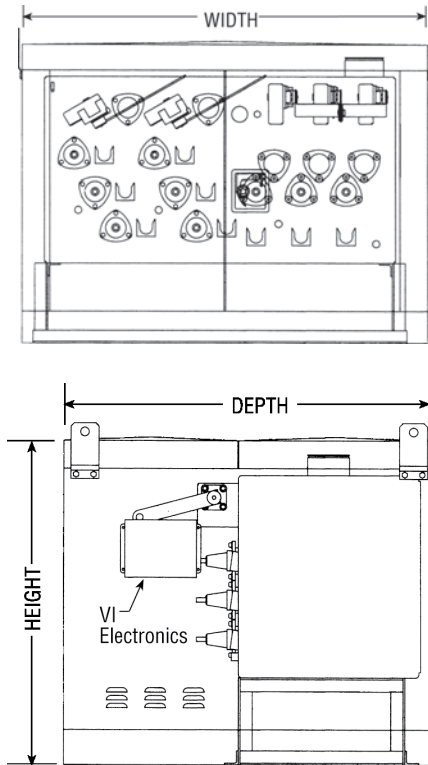
Dimensions are approximate.
Do not use for construction.

Model	One-line Diagram	Voltage (kV)	Catalog Number	Approximate		
				Width in. (mm)	Wt. w/SF. lbs (kg)	
4F		15	PNI20-376-25-4F	47.5 (1207)	1500 (682)	
			PFI20-376-12-4F	38.2 (969)	1200 (545)	
			PVI20-376-12-4F	54.8 (1392)	1600 (727)	
		25	PNI20-386-25-4F	47.5 (1207)	1500 (682)	
			PFI20-386-12-4F	38.2 (969)	1200 (545)	
			PVI20-386-12-4F	54.8 (1392)	1600 (727)	
		35	PNI20-396-12-4F	47.5 (1207)	1500 (682)	
			PVI20-396-12-4F	54.8 (1392)	1600 (727)	
5F		15	RPFI21-376-12-5F	38.2 (969)	1200 (545)	
			LPFI21-376-12-5F	43.5 (1111)	1475 (670)	
			PNI21-376-25-5F	47.5 (1207)	1550 (705)	
			PVI21-376-12-5F	54.8 (1392)	1600 (727)	
		25	RPFI21-386-12-5F	38.2 (969)	1200 (545)	
			LPFI21-386-12-5F	43.5 (1111)	1475 (670)	
			PNI21-386-25-5F	47.5 (1207)	1550 (705)	
			PVI21-386-12-5F	54.8 (1392)	1600 (727)	
		35	PNI21-396-12-5F	47.5 (1207)	1550 (705)	
			PVI21-396-12-5F	61.0 (1549)	1750 (795)	
6F		15	RPFI32-376-12-6F	50.1 (1274)	1500 (681)	
			LPFI32-376-12-6F	56.3 (1429)	1775 (807)	
			PNI32-376-25-6F	62.5 (1588)	1920 (873)	
			PVI32-376-12-6F	67.3 (1709)	1900 (864)	
		25	RPFI32-386-12-6F	50.1 (1274)	1500 (681)	
			LPFI32-386-12-6F	56.3 (1429)	1775 (807)	
			PNI32-386-25-6F	62.5 (1588)	1920 (873)	
			PVI32-386-12-6F	67.3(1709)	1900 (864)	
		35	PNI32-396-12-6F	62.5 (1588)	1920 (873)	
			PVI32-396-12-6F	73.5 (1867)	2050 (932)	
7F		15	RPFI31-376-12-7F	50.1 (1274)	1600 (726)	
			LPFI31-376-12-7F	55.7 (1415)	2100 (955)	
			PNI31-376-25-7F	62.5 (1588)	2050 (932)	
			PVI31-376-12-7F	75.8 (1925)	2100 (955)	
		25	RPFI31-386-12-7F	50.1 (1274)	1600 (726)	
			LPFI31-386-12-7F	55.7 (1415)	2100 (955)	
			PNI31-386-25-7F	62.5 (1588)	2050 (932)	
			PVI31-386-12-7F	75.8 (1925)	2100 (955)	
		35	PNI31-396-12-7F	62.5 (1588)	2050 (932)	
			PVI31-396-12-7F	91.0 (2311)	2450 (1114)	
9F		15	RPFI42-376-12-9F	62.1 (1578)	1800 (817)	
			LPFI42-376-12-9F	68.3 (1734)	2100 (955)	
			PNI42-376-25-9F	77.5 (1969)	2300 (1045)	
			PVI42-376-12-9F	88.3 (2242)	2400 (1091)	
		25	RPFI42-386-12-9F	62.1 (1578)	1800 (817)	
			LPFI42-386-12-9F	68.3 (1734)	2100 (955)	
			PNI42-386-25-9F	77.5 (1969)	2300 (1045)	
			PVI42-386-12-9F	88.3 (2242)	2400 (1091)	
		35	PNI42-396-12-9F	77.5 (1969)	2300 (1045)	
			PVI42-396-12-9F	103.5 (2629)	2700 (1227)	

Load and Fault Interrupting Switches

TWO POSITION, FRONT ACCESS, PUFFER VACUUM INTERRUPTERS

CONTINUED



For typical specifications, go to:
gwelec.com/specs.html

For contact principle, see pages 30-33.

Switch Style Height and Depth:

For RPF1 styles:

height = 59" (1499mm),
depth = 49" (1245mm).

For LPF1 styles:

height = 61" (1549mm),
depth = 54" (1372mm).

For PNI styles:

height = 65" (1651mm),
depth = 55" (1397mm).

For PVI styles:

height = 57" (1448mm),
depth = 54.5" (1384mm).

Dimensions are approximate.
Do not use for construction.

Model	One-line Diagram	Voltage (kV)	Catalog Number	Approximate	
				Width in. (mm)	Wt. w/SF _e lbs (kg)

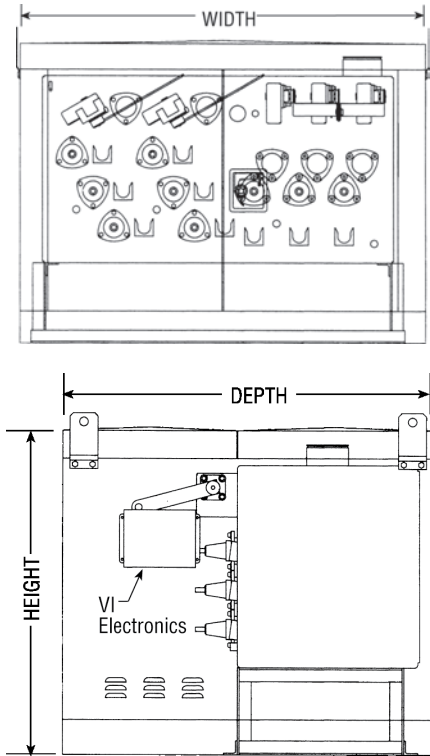
FRONT ACCESS PUFFER VACUUM INTERRUPTERS

Model	One-line Diagram	Voltage (kV)	Catalog Number	Width in. (mm)	Wt. w/SF _e lbs (kg)		
11F		15	RPF143-376-12-11F	62.1 (1578)	1800 (817)		
			LPF143-376-12-11F	68.8 (1746)	2075 (943)		
			PNI43-376-25-11F	77.5 (1969)	2400 (1091)		
		25		35	PVI43-376-12-11F	79.8 (2026)	2200 (1000)
					RPF143-386-12-11F	62.1 (1578)	1800 (817)
					LPF143-386-12-11F	68.8 (1746)	2075 (943)
				PNI43-386-25-11F	77.5 (1969)	2400 (1091)	
				PVI43-386-12-11F	79.8 (2026)	2200 (1000)	
				PVI43-396-12-11F	86.0 (2184)	2450 (1114)	
12F		15	RPF141-376-12-12F	62.1 (1578)	1800 (817)		
			LPF141-376-12-12F	67.8 (1721)	2150 (977)		
			PNI41-376-25-12F	77.5 (1969)	2400 (1091)		
		25		35	PVI41-376-12-12F	96.8 (2459)	2600 (1182)
					RPF141-386-12-12F	62.1 (1578)	1800 (817)
					LPF141-386-12-12F	67.8 (1721)	2150 (977)
				PNI41-386-25-12F	77.5 (1969)	2400 (1091)	
				PVI41-386-12-12F	95.0 (2413)	2600 (1182)	
				PNI41-396-12-12F	77.5 (1969)	2400 (1091)	
PVI41-396-12-12F	121.0 (3073)	3000 (1364)					
43F		15	RPF143-376-12-43F-BT	74.1 (1883)	2100 (953)		
			LPF143-376-12-43F-BT	80.2 (2037)	2300 (1045)		
			PNI43-376-25-43F-BT	92.5 (2350)	2750 (1250)		
		25		35	PVI43-376-12-43F-BT	101 (2565)	2700 (1227)
					RPF143-386-12-43F-BT	74.2 (1885)	2250 (1023)
					LPF143-386-12-43F-BT	80.2 (2037)	2300 (1045)
				PNI43-386-25-43F-BT	92.5 (2350)	2750 (1250)	
				PVI43-386-12-43F-BT	101 (2565)	2700 (1227)	
				PNI43-396-12-43F-BT	92.5 (2350)	2750 (1250)	
51F		15	RPF151-376-12-51F	74.1 (1883)	2300 (1044)		
			LPF151-376-12-51F	79.7 (2025)	2600 (1182)		
			PNI51-376-25-51F	92.5 (2350)	2900 (1318)		
		25		35	PVI51-376-12-51F	118 (2997)	3100 (1409)
					RPF151-386-12-51F	74.2 (1885)	2250 (1023)
					LPF151-386-12-51F	79.7 (2025)	2600 (1182)
				PNI51-386-25-51F	92.5 (2350)	2900 (1318)	
				PVI51-386-12-51F	118 (2997)	3100 (1409)	
				PNI51-396-12-51F	92.5 (2350)	2900 (1318)	
PVI51-396-12-51F	151 (3835)	3600 (1636)					

Load and Fault Interrupting Switches

TWO POSITION, FRONT ACCESS, PUFFER VACUUM INTERRUPTERS

CONTINUED



For typical specifications, go to:
gwelec.com/specs.html

For contact principle, see pages 30-33.

Switch Style Height and Depth:

For RPFi styles:
height = 59" (1499mm),
depth = 49" (1245mm).

For LPFi styles:
height = 61" (1549mm),
depth = 54" (1372mm).

For PNI styles:
height = 65" (1651mm),
depth = 55" (1397mm).

For PVi styles:
height = 57" (1448mm),
depth = 54.5" (1384mm).

Dimensions are approximate.
Do not use for construction.

Model	One-line Diagram	Voltage (kV)	Catalog Number	Approximate	
				Width in. (mm)	Wt. w/SF, lbs (kg)

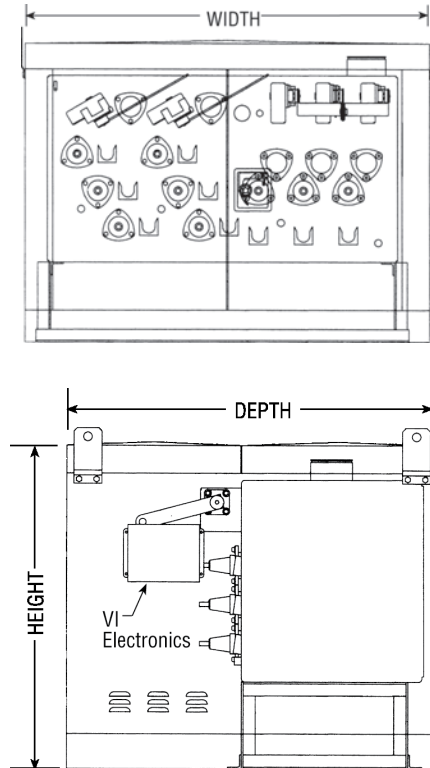
FRONT ACCESS PUFFER VACUUM INTERRUPTERS

Model	One-line Diagram	Voltage (kV)	Catalog Number	Width in. (mm)	Wt. w/SF, lbs (kg)		
52F		15	RPFi52-376-12-52F	74.1 (1883)	2100 (953)		
			LPFi52-376-12-52F	80.3 (2038)	2525 (1148)		
			PNI52-376-25-52F	92.5 (2350)	2800 (1273)		
			PVi52-376-12-52F	109.3 (2776)	2900 (1318)		
		25	RPFi52-386-12-52F	74.1 (1883)	2100 (953)		
			LPFi52-386-12-52F	80.3 (2038)	2525 (1148)		
			PNI52-386-25-52F	92.5 (2350)	2800 (1273)		
			PVi52-386-12-52F	109.3 (2775)	2900 (1318)		
		35	PNI52-396-12-52F	92.5 (2350)	2800 (1273)		
			PVi52-396-12-52F	133.5 (3391)	3250 (1477)		
		53F		15	RPFi53-376-12-53F	74.1 (1883)	2100 (953)
					LPFi53-376-12-53F	80.8 (2051)	2450 (1114)
PNI53-376-25-53F	92.5 (2350)				2750 (1250)		
PVi53-376-12-53F	101 (2565)				2700 (1227)		
25	RPFi53-386-12-53F			74.1 (1883)	2100 (953)		
	LPFi53-386-12-53F			80.8 (2051)	2450 (1114)		
	PNI53-386-25-53F			92.5 (2350)	2750 (1250)		
	PVi53-386-12-53F			101 (2565)	2700 (1227)		
35	PNI53-396-12-53F			92.5 (2350)	2750 (1250)		
	PVi53-396-12-53F			116 (2946)	3000 (1364)		
54F				15	RPFi54-376-12-54F	74.1 (1883)	2000 (908)
					LPFi54-376-12-54F	81.3 (2064)	2400 (1091)
		PNI54-376-25-54F	92.5 (2350)		2650 (1205)		
		PVi54-376-12-54F	93 (2362)		2500 (1136)		
		25	RPFi54-386-12-54F	74.1 (1883)	2000 (908)		
			LPFi54-386-12-54F	81.3 (2064)	2400 (1091)		
			PNI54-386-25-54F	92.5 (2350)	2650 (1205)		
			PVi54-386-12-54F	93 (2362)	2500 (1136)		
		35	PNI54-396-12-54F	92.5 (2350)	2650 (1205)		
			PVi54-396-12-54F	98.5 (2502)	2700 (1227)		
		62F		15	RPFi62-376-12-62F	86.1 (2188)	2400 (1089)
					LPFi62-376-12-62F	92.3 (2343)	2800 (1273)
PNI62-376-25-62F	107.5 (2731)				3300 (1500)		
PVi62-376-12-62F	130.3 (3308)				3400 (1545)		
25	RPFi62-386-12-62F			86.1 (2188)	2400 (1089)		
	LPFi62-386-12-62F			92.3 (2343)	2800 (1273)		
	PNI62-386-25-62F			107.5 (2731)	3300 (1500)		
	PVi62-386-12-62F			130.3 (3310)	3400 (1545)		
35	PNI62-396-12-62F			107.5 (2731)	3300 (1500)		

Load and Fault Interrupting Switches

Two Position, Front Access, Puffer Vacuum Interrupters

CONTINUED



For typical specifications, go to:
gwelec.com/specs.html

For contact principle, see pages 30-33.

Switch Style Height and Depth:

For RPFI styles:

height = 59" (1499mm),
depth = 49" (1245mm).

For LPFI styles:

height = 61" (1549mm),
depth = 54" (1372mm).

For PNI styles:

height = 65" (1651mm),
depth = 55" (1397mm).

For PVI styles:

height = 57" (1448mm),
depth = 54.5" (1384mm).

Dimensions are approximate.
Do not use for construction.

Model	One-line Diagram	Voltage (kV)	Catalog Number	Approximate	
				Width in. (mm)	Wt. w/SF ₆ lbs (kg)

FRONT ACCESS PUFFER VACUUM INTERRUPTERS

63F		15	RPFI63-376-12-63F	86.1 (2188)	2400 (1089)
			LPFI63-376-12-63F	92.8 (2356)	2750 (1250)
			PNI63-376-25-63F	107.5 (2731)	3200 (1455)
		25	RPFI63-386-12-63F	86.1 (2188)	2400 (1089)
			LPFI63-386-12-63F	92.8 (2356)	2750 (1250)
			PNI63-386-25-63F	107.5 (2731)	3200 (1455)
35	PVI63-386-12-63F	122 (3099)	3200 (1455)		
	PVI63-396-12-63F	107.5 (2731)	3200 (1455)		
PVI63-396-12-63F			146 (3708)	3600 (1636)	
	64F		15	RPFI64-376-12-64F	86.1 (2188)
LPFI64-376-12-64F				93.3 (2369)	2700 (1227)
PNI64-376-25-64F				107.5 (2731)	3100 (1409)
25			PVI64-376-12-64F	113 (2870)	3000 (1364)
			RPFI64-386-12-64F	86.1 (2188)	2300 (1044)
			LPFI64-386-12-64F	93.3 (2369)	2700 (1227)
35	PNI64-386-25-64F	107.5 (2731)	3100 (1409)		
	PVI64-386-12-64F	113 (2870)	3000 (1364)		
PVI64-396-12-64F		107.5 (2731)	3100 (1409)		
PVI64-396-12-64F			129 (3277)	3300 (1500)	
65F		15	RPFI65-376-12-65F	86.1 (2188)	2300 (1044)
			LPFI65-376-12-65F	93.7 (2381)	2650 (1205)
			PNI65-376-25-65F	107.5 (2731)	3000 (1364)
		25	PVI65-376-12-65F	105 (2667)	2800 (1273)
			RPFI65-386-12-65F	86.1 (2188)	2300 (1044)
			LPFI65-386-12-65F	93.7 (2381)	2650 (1205)
35	PNI65-386-25-65F	107.5 (2731)	3000 (1364)		
	PVI65-386-12-65F	105 (2667)	2800 (1273)		
PVI65-396-12-65F		107.5 (2731)	3000 (1364)		
PVI65-396-12-65F			111 (2819)	3000 (1364)	
72F		15	RPFI72-376-12-72F	98.1 (2493)	2500 (1136)
			LPFI72-376-12-72F	104.3 (2648)	3100 (1409)
			PNI72-376-25-72F	122.5 (3112)	3850 (1750)
		25	PVI72-376-12-72F	151.3 (3842)	3850 (1750)
			RPFI72-386-12-72F	98.1 (2493)	2500 (1136)
			LPFI72-386-12-72F	104.3 (2648)	3100 (1409)
35	PNI72-386-25-72F	122.5 (3112)	3850 (1750)		
	PVI72-386-12-72F	151.3 (3842)	3850 (1750)		
PNI72-396-12-72F		122.5 (3112)	3850 (1750)		

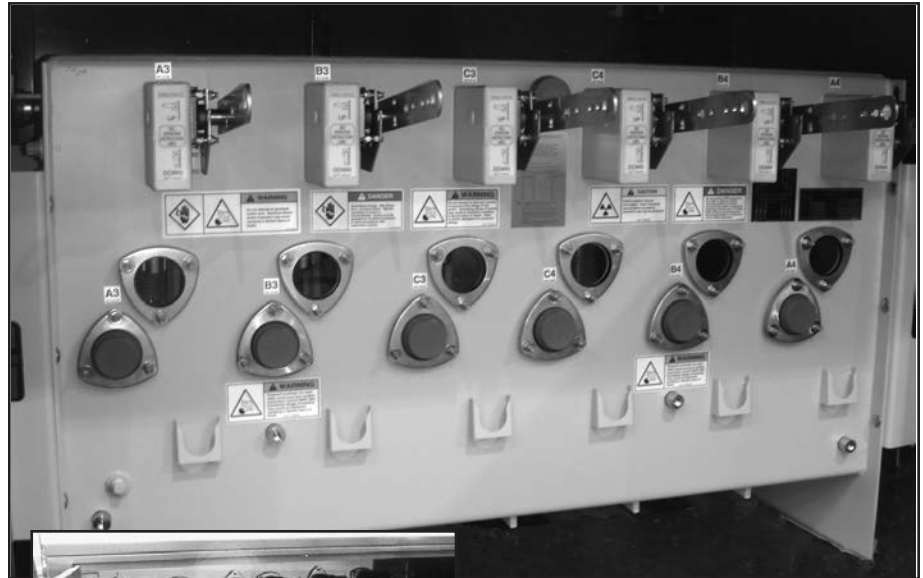
Load and Fault Interrupting Switches

TWO POSITION, FRONT / BACK ACCESS, PVI STYLE, PUFFER VACUUM INTERRUPTERS

Provides front and back compartments for separating source and tap cables. Load break switch operating mechanisms are located on the sides of the switch. Fault interrupters can be changed from single phase to three phase protection in the field. Provides load break switch visible break with 12 or 20kA symmetrical single or three phase fault interrupting.

Load break switch (LP) ratings
 Maximum design voltage,
 kV 15.5 27 38
 Voltage class,
 kV 15 25 35
 Impulse level (BIL),
 kV 110 125 150
 One minute withstand,
 AC kV 35 60 70
 One minute withstand,
 Production test rating
 AC kV 34 40 50
 15 minute withstand,
 DC kV 53 78 103
 Continuous and load break current,
 Amps* 630 630 630
 Momentary current,
 kA asym 40 40 40
 Fault-close current, (3 times)
 kA asym 40 40 40
 One second current,
 kA sym 25 25 25
 Open gap withstand,
 kV 200 200 200
 10 operation overload interrupting
 capability,
 Amps 3000 3000 3000
 Operations load interrupting
 at 600A 1200 1200 1200
 Mechanical endurance,
 operations 2000 2000 2000
 *900A continuous available

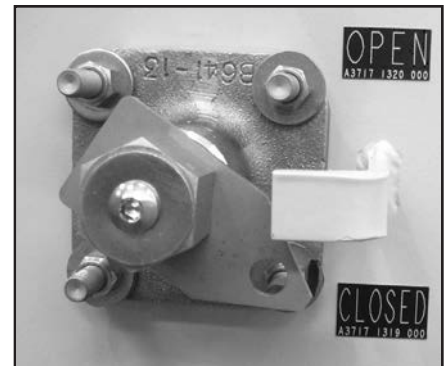
Fault interrupter (VI) ratings
 Maximum design voltage,
 kV 15.5 27 38
 Voltage class,
 kV 15 25 35
 Impulse level (BIL),
 kV 95 125 150



▲ Model PVI-9 front and back views.



▲ All load break switch operators are located on the side of the switch.



▲ Load break rotary operator.



▲ Load break switch visible break.

One minute withstand,
 AC kV 50 60 70
 One minute withstand,
 Production test rating
 AC kV 34 40 50
 15 minute withstand,
 DC kV 53 78 103
 Continuous and load break current,
 Amps 630 630 630
 Symmetrical interrupting rating,
 kA** 12 12 12
 **20kA available

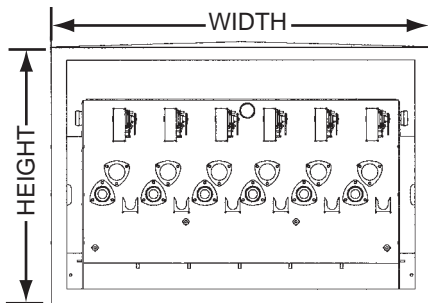
IEEE C37.60 Fault Interrupting Duty

Total number of fault interruptions: 116

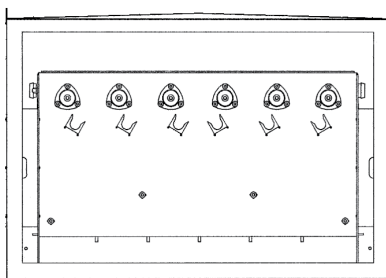
Percent of Maximum Interrupting Rating	Approx. Interrupting Current, Amps	No. of Fault Interruptions
15-20%	2,000	44
45-55%	6,000	56
90-100%	12,000	16

Load and Fault Interrupting Switches

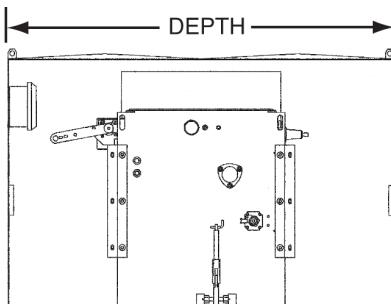
TWO POSITION, FRONT / BACK ACCESS, PVI STYLE, PUFFER VACUUM INTERRUPTERS CONTINUED



FRONT
VI operating handles and entrances



BACK
Source side cable entrances



SIDE
Source side operating compartment

For typical specifications, go to:
gwelec.com/specs.html

For contact principle, see pages 35
and 38.

Model	One-line Diagram	Voltage Class (kV)	Catalog Number	Approximate		
				Width in. (mm)	Depth in. (mm)	Wt. w/SF ₆ lbs (kg)

FRONT / BACK ACCESS PVI PUFFER VACUUM INTERRUPTERS

Model	One-line Diagram	Voltage Class (kV)	Catalog Number	Width in. (mm)	Depth in. (mm)	Wt. w/SF ₆ lbs (kg)
3		15	PPI21-376-40-3	44.5 (1130)	79 (2007)	950 (432)
		25	PPI21-386-40-3	44.5 (1130)	79 (2007)	950 (432)
		35	PPI21-396-40-3	44.5 (1130)	79 (2007)	950 (432)
4		15	PVI20-376-12-4	44.5 (1130)	79 (2007)	950 (432)
		25	PVI20-386-12-4	44.5 (1130)	79 (2007)	950 (432)
		35	PVI20-396-12-4	44.5 (1130)	79 (2007)	950 (432)
5		15	PVI21-376-12-5	44.5 (1130)	79 (2007)	950 (432)
		25	PVI21-386-12-5	44.5 (1130)	79 (2007)	950 (432)
		35	PVI21-396-12-5	44.5 (1130)	79 (2007)	950 (432)
6		15	PVI32-376-12-6	74.0 (1880)	79 (2007)	2250 (1023)
		25	PVI32-386-12-6	74.0 (1880)	79 (2007)	2250 (1023)
		35	PVI32-396-12-6	74.0 (1880)	79 (2007)	2250 (1023)
7		15	PVI31-376-12-7	74.0 (1880)	79 (2007)	2250 (1023)
		25	PVI31-386-12-7	74.0 (1880)	79 (2007)	2250 (1023)
		35	PVI31-396-12-7	74.0 (1880)	79 (2007)	2250 (1023)
8		15	PVI41-376-12-8	74.0 (1880)	79 (2007)	2250 (1023)
		25	PVI41-386-12-8	74.0 (1880)	79 (2007)	2250 (1023)
		35	PVI41-396-12-8	74.0 (1880)	79 (2007)	2250 (1023)
9		15	PVI42-376-12-9	74.0 (1880)	79 (2007)	2300 (1043)
		25	PVI42-386-12-9	74.0 (1880)	79 (2007)	2300 (1043)
		35	PVI42-396-12-9	74.0 (1880)	79 (2007)	2300 (1043)
10		15	PPI44-376-40-10	74.0 (1880)	79 (2007)	2200 (998)
		25	PPI44-386-40-10	74.0 (1880)	79 (2007)	2200 (998)
		35	PPI44-396-40-10	74.0 (1880)	79 (2007)	2200 (998)
11		15	PVI43-376-12-11	74.0 (1880)	79 (2007)	2400 (1091)
		25	PVI43-386-12-11	74.0 (1880)	79 (2007)	2400 (1091)
		35	PVI43-396-12-11	74.0 (1880)	79 (2007)	2400 (1091)
12		15	PVI41-376-12-12	74.0 (1880)	79 (2007)	2400 (1091)
		25	PVI41-386-12-12	74.0 (1880)	79 (2007)	2400 (1091)
		35	PVI41-396-12-12	74.0 (1880)	79 (2007)	2400 (1091)
13		15	PPI33-376-40-13	74.0 (1880)	79 (2007)	2350 (1066)
		25	PPI33-386-40-13	74.0 (1880)	79 (2007)	2350 (1066)
		35	PPI33-396-40-13	74.0 (1880)	79 (2007)	2350 (1066)
14		15	PVI42-376-12-14	74.0 (1880)	79 (2007)	2250 (1023)
		25	PVI42-386-12-14	74.0 (1880)	79 (2007)	2250 (1023)
		35	PVI42-396-12-14	74.0 (1880)	79 (2007)	2250 (1023)

Enclosure height is 50" (1270mm).

Dimensions are approximate.
Do not use for construction.

Load and Fault Interrupting Switches

Two Position, Front / Back Access, PNI-L Style, Puffer Vacuum Interrupters

Provides front and back compartments for separating all operating mechanisms from the source and tap cables. Provides load break switch visible break with 25kA symmetrical interrupting.

Load break switch (LP) ratings
 Maximum design voltage,
 kV 15.5 27 38
 Voltage class,
 kV 15 25 35
 Impulse level (BIL),
 kV 110 125 150
 One minute withstand,
 AC kV 35 60 70
 One minute withstand,
 Production test rating
 AC kV 34 40 50
 15 minute withstand,
 DC kV 53 78 103
 Continuous and load break current,
 Amps* 630 630 630
 Momentary current,
 kA asym 40 40 40
 Fault-close current, (3 times)
 kA asym 40 40 40
 One second current,
 kA sym 25 25 25
 Open gap withstand,
 kV 200 200 200
 10 operation overload interrupting
 capability,
 Amps 3000 3000 3000
 Operations load interrupting
 at 600A 1200 1200 1200
 Mechanical endurance,
 operations 2000 2000 2000
 *900A continuous available

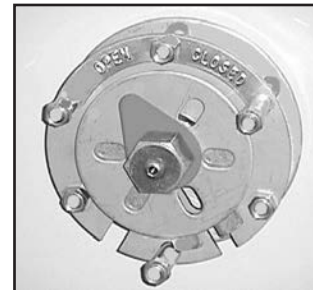
Fault interrupter (NI) ratings
 Maximum design voltage,
 kV 15.5 27 38
 Voltage class,
 kV 15 25 35
 Impulse level (BIL),
 kV 110 125 150



▲ Front and back view of a padmount PNI-43L with rotary style load break operator.



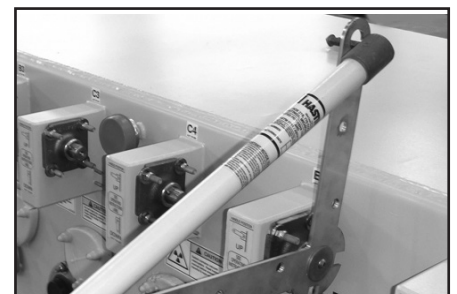
One minute withstand,
 AC kV 50 60 70
 One minute withstand,
 Production test rating
 AC kV 34 40 50
 15 minute withstand,
 DC kV 53 78 103
 Continuous and load break current,
 Amps 630 630 630
 Symmetrical interrupting rating,
 kA** 12.5 12.5 12.5
 **25kA available



▲ Optional load break rotary style operator.

IEEE C37.60
 Fault Interrupting Duty
 Total number of fault interruptions: 116

Percent of Maximum Interrupting Rating	Approx. Interrupting Current, Amps	No. of Fault Interruptions
15-20%	5,000	44
45-55%	12,500	56
90-100%	25,000	16



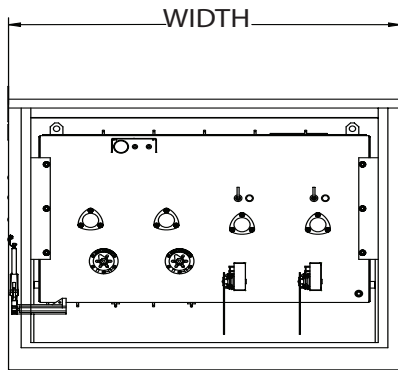
▲ Interrupter with dual operating handle.



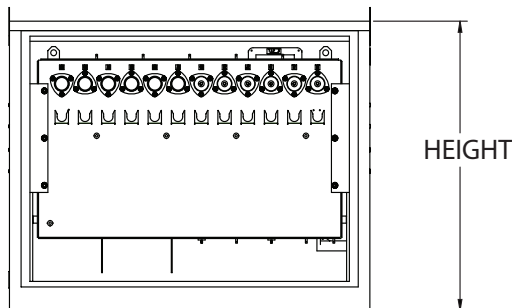
▲ Load break switch visible break.

Load and Fault Interrupting Switches

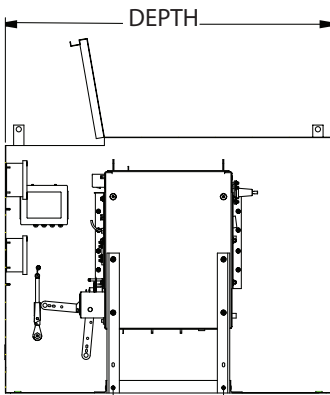
**TWO POSITION,
FRONT / BACK ACCESS,
PNI-L STYLE,
PUFFER VACUUM
INTERRUPTERS CONTINUED**



FRONT VIEW



BACK VIEW



For typical specifications, go to:
gwelec.com/specs.html

For contact principle, see pages 30 and 33.

Height = 65" (1651mm), Depth = 55" (1397mm).
Bushing height is 48" (1224mm).

Dimensions are approximate.
Do not use for construction.

Model	One-Line Diagram	Voltage (kV)	Catalog Number	Approximate	
				Width in. (mm)	Wt. w/SF. lbs (kg)
4		15	PNI20-376-12-4L	47.5 (1206)	1650 (750)
		25	PNI20-386-12-4L		
		35	PNI20-396-12-4L		
6		15	PNI32-376-12-6L	62.5 (1588)	2050 (932)
		25	PNI32-386-12-6L		
		35	PNI32-396-12-6L		
7		15	PNI31-376-12-7L	77.5 (1969)	2500 (1136)
		25	PNI31-386-12-7L		
		35	PNI31-396-12-7L		
9		15	PNI42-376-12-9L	92.5 (2350)	2900 (1318)
		25	PNI42-386-12-9L		
		35	PNI42-396-12-9L		
11		15	PNI43-376-12-11L	107.5 (2731)	3350 (1522)
		25	PNI43-386-12-11L		
		35	PNI43-396-12-11L		
12		15	PNI41-376-12-12L	122.5 (3111)	4000 (1818)
		25	PNI41-386-12-12L		
		35	PNI41-396-12-12L		
51		15	PNI51-376-12-51L	122.5 (3111)	4000 (1818)
		25	PNI51-386-12-51L		
		35	PNI51-396-12-51L		
52		15	PNI52-376-12-52L	122.5 (3111)	4000 (1818)
		25	PNI52-386-12-52L		
		35	PNI52-396-12-52L		
53		15	PNI53-376-12-53L	122.5 (3111)	4000 (1818)
		25	PNI53-386-12-53L		
		35	PNI53-396-12-53L		
54		15	PNI54-376-12-54L	122.5 (3111)	4000 (1818)
		25	PNI54-386-12-54L		
		35	PNI54-396-12-54L		
62		15	PNI62-376-12-62L	122.5 (3111)	4000 (1818)
		25	PNI62-386-12-62L		
		35	PNI62-396-12-62L		
63		15	PNI63-376-12-63L	122.5 (3111)	4000 (1818)
		25	PNI63-386-12-63L		
		35	PNI63-396-12-63L		
64		15	PNI64-376-12-64L	122.5 (3111)	4000 (1818)
		25	PNI64-386-12-64L		
		35	PNI64-396-12-64L		
65		15	PNI65-376-12-65L	122.5 (3111)	4000 (1818)
		25	PNI65-386-12-65L		
		35	PNI65-396-12-65L		
72		15	PNI72-376-12-72L	122.5 (3111)	4000 (1818)
		25	PNI72-386-12-72L		
		35	PNI72-396-12-72L		

Load and Fault Interrupting Switches

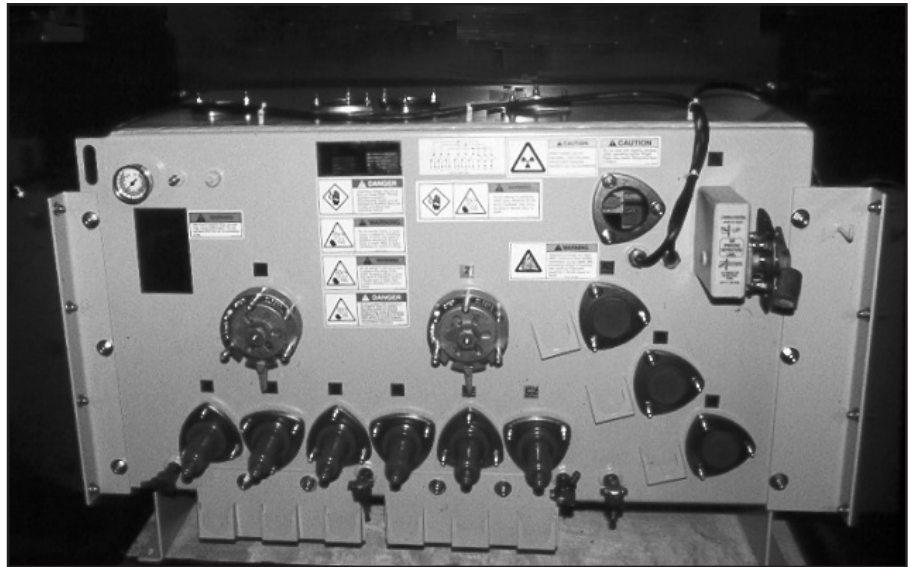
THREE POSITION, FRONT ACCESS, TRIAD™ SERIES 1 WITH LOAD BREAK GROUND SWITCHES

Switches incorporate rotary puffer style internal ground for the load break switch ways. Two models offer different ratings and vacuum interrupter capabilities as follows:

Model TFI
Provides three phase protection.

Load break switch (RP) ratings
Maximum design voltage,
kV 15.5.....27
Voltage class,
kV 15.....25
Impulse level (BIL),
kV 110..... 125
One minute withstand,
AC kV 35.....60
One minute withstand,
Production test rating
AC kV 34.....40
15 minute withstand,
DC kV 53.....78
Continuous and load break current,
Amps..... 630..... 630
Momentary current,
kA asym 40.....40
Fault-close current, (3 times)
kA asym 32..... 32
One second current
kA sym..... 25.....25
Mechanical endurance,
operations 2000 2000

Fault interrupter (FI) ratings
Maximum design voltage,
kV 15.5..... 27
Voltage class,
kV 15..... 25
Impulse level (BIL),
kV 110.....125
One minute withstand,
AC kV 50..... 60
One minute withstand,
Production test rating
AC kV 34..... 40
15 minute withstand,
DC kV 53..... 78
Continuous and load break current,
Amps..... 630.....630
Symmetrical interrupting rating,
kA..... 12.5..... 16



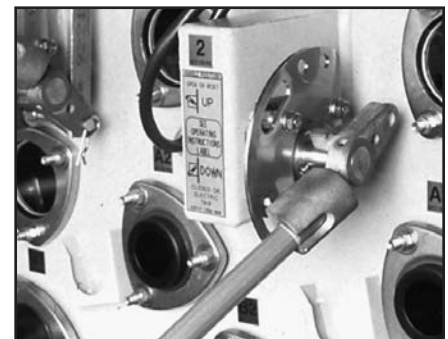
▲ TFI-6F

IEEE C37.60
Fault Interrupting Duty
Total number of fault interruptions: 116

Percent of Maximum Interrupting Rating	Approx. Interrupting Current, Amps	No. of Fault Interruptions
15-20%	2,000	44
45-55%	6,000	56
90-100%	12,500	16



▲ Load break multi-position switch operator.



▲ Fault interrupter operating handle.

Load and Fault Interrupting Switches

THREE POSITION, FRONT ACCESS, TRIAD™ SERIES 1 WITH LOAD BREAK GROUND SWITCHES CONTINUED

Switches incorporate rotary puffer style internal ground for the load break switch ways.

Model TVI
Provides single phase or three phase protection, with 12 or 20kA symmetrical interrupting.

Load break switch (RP) ratings

Maximum design voltage, kV	15.5..... 27	38
Voltage class, kV	15	25.....35
Impulse level (BIL), kV	110..... 125.....	150
One minute withstand, AC kV	35..... 60.....	70
One minute withstand, Production test rating AC kV	34..... 40.....	50
15 minute withstand, DC kV	53..... 78.....	103
Continuous and load break current, Amps.....	630.....630.....	630
Momentary current, kA asym	40..... 40.....	40
Fault-close current, (3 times) kA asym	32..... 32.....	32
One second current kA sym.....	20..... 20.....	20
Mechanical endurance, operations	2000.....2000	2000

Fault interrupter (VI) ratings

Maximum design voltage, kV	15.5..... 27	38
Voltage class, kV	15	25.....35
Impulse level (BIL), kV	95..... 125.....	150
One minute withstand, AC kV	50..... 60.....	70
One minute withstand, Production test rating AC kV	34..... 40.....	50
15 minute withstand, DC kV	53..... 78.....	103



▲ TVI-52

Continuous and load break current, Amps.....630.....630..... 630
Symmetrical interrupting rating, kA**

IEEE C37.60
Fault Interrupting Duty
Total number of fault interruptions: 116

Percent of Maximum Interrupting Rating	Approx. Interrupting Current, Amps	No. of Fault Interruptions
15-20%	2,000	44
45-55%	6,000	56
90-100%	12,000	16



▲ Load break multi-position switch operator.



▲ Single phase interrupter operating handles.



▲ Three phase interrupter operating handle.

Load and Fault Interrupting Switches

THREE POSITION, FRONT
ACCESS, TRIAD™ SERIES 1
WITH LOAD BREAK GROUND
SWITCHES CONTINUED

Model	One-line Diagram	Voltage Class (kV)	Catalog Number	Approximate		
				Width in. (mm)	Depth in. (mm)	Wt. w/SF ₆ lbs (kg)

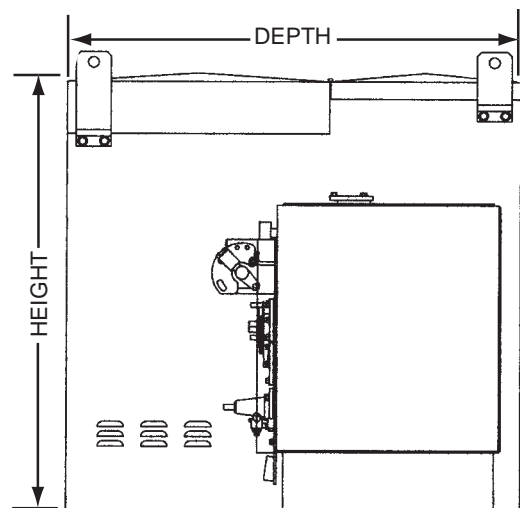
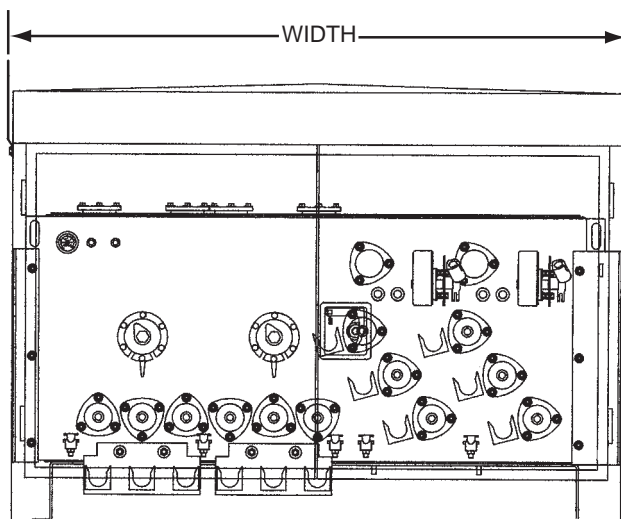
TRIAD SERIES 1 - FRONT ACCESS

6F		15	TVI32-376-12-6F	67.9 (1725)	55 (1397)	1700 (773)
			TFI32-376-12-6F	55.6 (1413)	55 (1397)	1350 (612)
		25	TVI32-386-12-6F	71 (1803)	55 (1397)	1550 (705)
			TFI32-386-12-6F	55.6 (1413)	55 (1397)	1350 (612)
		35	TVI32-396-12-6F	80 (2032)	55 (1397)	1350 (612)
		9F		15	TVI42-376-12-9F	92 (2337)
TFI42-376-12-9F	68 (1727)				55 (1397)	2200 (1000)
25	TVI42-386-12-9F			92 (2337)	55 (1397)	2200 (1000)
	TFI42-386-12-9F			68 (1727)	55 (1397)	2200 (1000)
35	TVI42-396-12-9F			112 (2845)	55 (1397)	2400 (1090)
52F				15	TVI52-376-12-52F	113 (2870)
		TFI52-376-12-52F	76.1 (1934)		55 (1397)	2800 (1273)
		25	TVI52-386-12-52F	113 (2870)	55 (1397)	2450 (1112)
			TFI52-386-12-52F	76.1 (1934)	55 (1397)	2800 (1273)
		35	TVI52-396-12-52F	143 (3632)	55 (1397)	2850 (1294)
		62F		15	TVI62-376-12-62F	134 (3404)
TFI62-376-12-62F	95.2 (2417)				55 (1397)	3050 (1386)
25	TVI62-386-12-62F			134 (3404)	55 (1397)	2700 (1226)
	TFI62-386-12-62F			92 (2337)	55 (1397)	3050 (1386)
35	TVI62-396-12-62F			173 (4394)	55 (1397)	3400 (1544)

Height of enclosure = 50" (1270mm).

For typical specifications, go to: gwelec.com/specs.html

For contact principle, see pages 30, 31 and 34.



Dimensions are approximate.
Do not use for construction.

Load and Fault Interrupting Switches

THREE POSITION, FRONT / BACK, TRIAD™ SERIES 1 WITH LOAD BREAK GROUND SWITCHES

CONTINUED

Switches incorporate rotary puffer style internal ground for the load break switch ways. Provides front and back compartments for separating source and tap cables. Fault interrupters can be changed from single phase to three phase protection in the field.

Model TVI

Provides single phase or three phase protection, with 12 or 20kA symmetrical interrupting.

Load break switch (RP) ratings

Maximum design voltage,
kV 15.5 27 38

Voltage class,
kV 15 25 35

Impulse level (BIL),
kV 110 125 150

One minute withstand,
AC kV 35 60 70

One minute withstand,
Production test rating
AC kV 34 40 50

15 minute withstand,
DC kV 53 78 103

Continuous and load break current,
Amps 630 630 630

Momentary current,
kA asym 40 40 40

Fault-close current, (3 times)
kA asym 32 32 32

One second current
kA sym 25 25 25

Mechanical endurance,
operations 2000 2000 2000

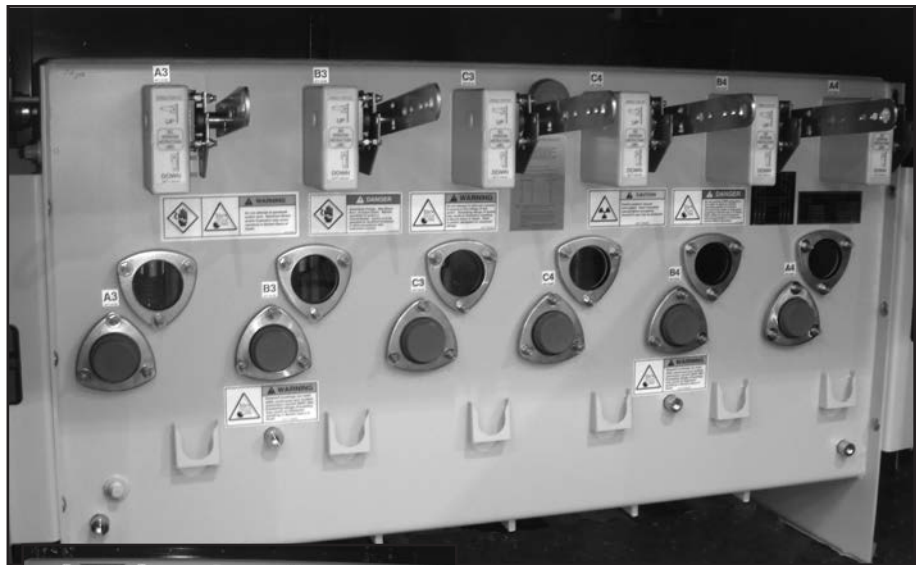
Fault interrupter (VI) ratings

Maximum design voltage,
kV 15.5 27 38

Voltage class,
kV 15 25 35

Impulse level (BIL),
kV 95 125 150

One minute withstand,
AC kV 50 60 70



▲ TVI front view and back view



▲ Load break multi-position switch operator.



▲ Single phase interrupter operating handles.



▲ Three phase interrupter operating handle.

One minute withstand,
Production test rating
AC kV 34 40 50

15 minute withstand,
DC kV 53 78 103

Continuous and load break current,
Amps 630 630 630

Symmetrical interrupting rating,
kA** 12 12 12

**20kA available

IEEE C37.60

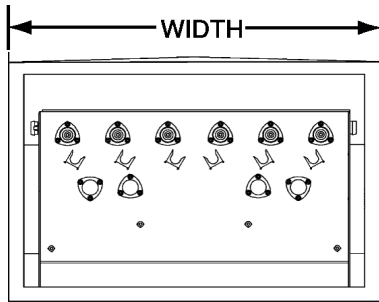
Fault Interrupting Duty

Total number of fault interruptions: 116

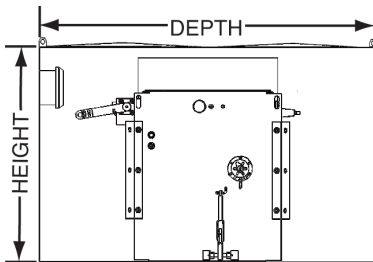
Percent of Maximum Interrupting Rating	Approx. Interrupting Current, Amps	No. of Fault Interruptions
15-20%	2,000	44
45-55%	6,000	56
90-100%	12,000	16

Load and Fault Interrupting Switches

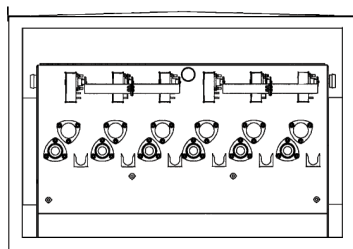
THREE POSITION,
FRONT / BACK, TRIAD™
SERIES 1 WITH LOAD
BREAK GROUND SWITCHES
CONTINUED



Front view showing source cable entrances.



Side view showing load break operator.



Back view showing VI cable entrances and operators.

Model	One-line Diagram	Voltage Class (kV)	Catalog Number	Approximate		
				Width in. (mm)	Depth in. (mm)	Wt. w/SF ₆ lbs (kg)

TRIAD SERIES 1 – FRONT / BACK ACCESS

5		15	TVI21-376-12-5	44.5 (1130)	79 (2007)	850 (386)
		25	TVI21-386-12-5	44.5 (1130)	79 (2007)	850 (386)
		35	TVI21-396-12-5	44.5 (1130)	79 (2007)	850 (386)
6		15	TVI32-376-12-6	74 (1880)	79 (2007)	1700 (773)
		25	TVI32-386-12-6	74 (1880)	79 (2007)	1700 (773)
		35	TVI32-396-12-6	74 (1880)	79 (2007)	1700 (773)
7		15	TVI31-376-12-7	74 (1880)	79 (2007)	2000 (909)
		25	TVI31-386-12-7	74 (1880)	79 (2007)	2000 (909)
		35	TVI31-396-12-7	74 (1880)	79 (2007)	2000 (909)
8		15	TVI41-376-12-8	74 (1880)	79 (2007)	2300 (1045)
		25	TVI41-386-12-8	74 (1880)	79 (2007)	2300 (1045)
		35	TVI41-396-12-8	74 (1880)	79 (2007)	2300 (1045)
9		15	TVI42-376-12-9	74 (1880)	79 (2007)	2300 (1045)
		25	TVI42-386-12-9	74 (1880)	79 (2007)	2300 (1045)
		35	TVI42-396-12-9	74 (1880)	79 (2007)	2300 (1045)
10		15	T44-376-40-10	74 (1880)	79 (2007)	2200 (1000)
		25	T44-386-40-10	74 (1880)	79 (2007)	2200 (1000)
		35	T44-396-40-10	74 (1880)	79 (2007)	2200 (1000)
11		15	TVI43-376-12-11	74 (1880)	79 (2007)	2200 (1000)
		25	TVI43-386-12-11	74 (1880)	79 (2007)	2200 (1000)
		35	TVI43-396-12-11	74 (1880)	79 (2007)	2200 (1000)
12		15	TVI41-376-12-12	74 (1880)	79 (2007)	2400 (1091)
		25	TVI41-386-12-12	74 (1880)	79 (2007)	2400 (1091)
		35	TVI41-396-12-12	74 (1880)	79 (2007)	2400 (1091)
13		15	T33-376-40-13	74 (1880)	79 (2007)	2000 (908)
		25	T33-386-40-13	74 (1880)	79 (2007)	2000 (908)
		35	T33-396-40-13	74 (1880)	79 (2007)	2000 (908)
14		15	TVI42-376-12-14	74 (1880)	79 (2007)	2000 (908)
		25	TVI42-386-12-14	74 (1880)	79 (2007)	2000 (908)
		35	TVI42-396-12-14	74 (1880)	79 (2007)	2000 (908)

Height of enclosure = 50" (1270mm).

Dimensions are approximate.
Do not use for construction.

Load and Fault Interrupting Switches

THREE POSITION,
FRONT / BACK ACCESS,
TRIAD™ SERIES 2
WITH BOTH LOAD BREAK AND
FAULT INTERRUPTER GROUND
SWITCHES

Model TNI

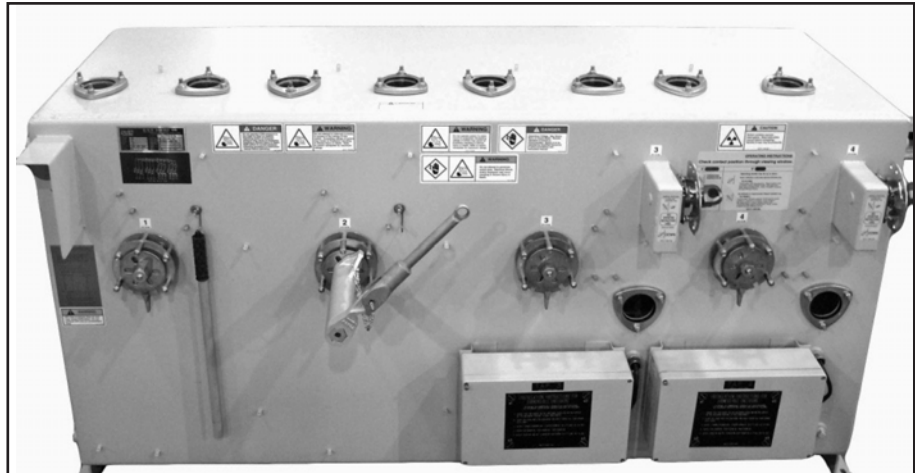
Switches incorporate rotary puffer style internal ground switching for both the load break and fault interrupter switch ways. Model NI vacuum interrupter three phase mechanisms are used.

Load break switch (RP) ratings

Maximum design voltage,			
kV	15.5	27	38
Voltage class,			
kV	15	25	35
Impulse level (BIL),			
kV	110	125	150
One minute withstand,			
AC kV	35	60	70
One minute withstand,			
Production test rating			
AC kV	34	40	50
15 minute withstand,			
DC kV	53	78	103
Continuous and load break current,			
Amps.....	630	630	630
Momentary current,			
kA asym	40	40	40
Fault-close current, (3 times)			
kA asym	32	32	32
One second current			
kA sym.....	25	25	25
Mechanical endurance,			
operations	2000	2000	2000

Fault interrupter (NI) ratings

Maximum design voltage,			
kV	15.5	27	38
Voltage class,			
kV	15	25	35
Impulse level (BIL),			
kV	110	125	150
One minute withstand,			
AC kV	50	60	70
One minute withstand,			
Production test rating			
AC kV	34	40	50
15 minute withstand,			
DC kV	53	78	103



▲ Front view of a TNI-9L. Contact viewing windows are on the top of the switch. See viewing window option below.



◀ Cable entrances are located on the back of the switch.

Continuous and load break current,
Amps..... 630..... 630..... 630
Symmetrical interrupting rating,
kA** 12.5..... 12.5 12.5
**20kA and 25kA available

IEEE C37.60

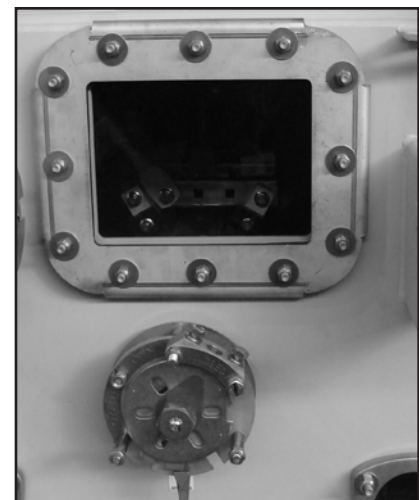
Fault Interrupting Duty

Total number of fault interruptions: 116

Percent of Maximum Interrupting Rating	Approx. Interrupting Current, Amps	No. of Fault Interruptions
15-20%	5,000	44
45-55%	12,500	56
90-100%	25,000	16



▲ Load break multi-position switch operator.

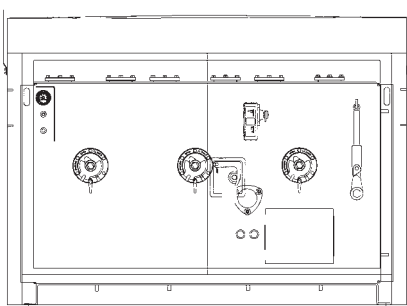


Optional large viewing window ► for load break switch visible break.

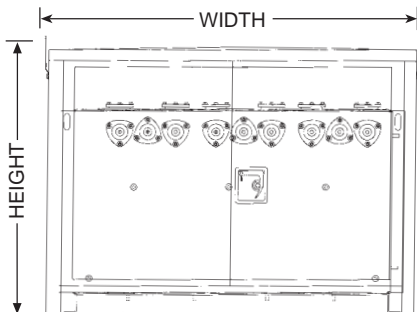
Load and Fault Interrupting Switches

THREE POSITION,
FRONT / BACK ACCESS,
TRIAD™ SERIES 2
WITH BOTH LOAD BREAK AND
FAULT INTERRUPTER GROUND
SWITCHES
CONTINUED

Front/back access design with all operating mechanisms in the front and all cable entrances in the back compartment. Contact viewing windows are located on the top of the switch tank.



Front view showing load break and vacuum interrupter operators.



Rear view showing all cable entrances.

For typical specifications, go to:
gwelec.com/specs.html

For contact principle, see pages
30 and 34.

Dimensions are approximate.
Do not use for construction.

Model	One-line Diagram	Voltage Class (kV)	Catalog Number	Approximate	
				Width in. (mm)	Wt. w/SF ₆ lbs (kg)
5		15	TNI21-376-12-5L	51 (1295)	1725 (782)
		25	TNI21-386-12-5L	51 (1295)	1725 (782)
		35	TNI21-396-12-5L	51 (1295)	1725 (782)
6		15	TNI32-376-12-6L	69 (1753)	2900 (1315)
		25	TNI32-386-12-6L	69 (1753)	2900 (1315)
		35	TNI32-396-12-6L	69 (1753)	2900 (1315)
7		15	TNI31-376-12-7L	69 (1753)	2670 (1211)
		25	TNI31-386-12-7L	69 (1753)	2670 (1211)
		35	TNI31-396-12-7L	69 (1753)	2670 (1211)
9		15	TNI42-376-12-9L	88 (2235)	3170 (1437)
		25	TNI42-386-12-9L	88 (2235)	3170 (1437)
		35	TNI42-396-12-9L	88 (2235)	3170 (1437)
11		15	TNI43-376-12-11L	88 (2235)	3095 (1403)
		25	TNI43-386-12-11L	88 (2235)	3095 (1403)
		35	TNI43-396-12-11L	88 (2235)	3095 (1403)
12		15	TNI41-376-12-12L	88 (2235)	3245 (1471)
		25	TNI41-386-12-12L	88 (2235)	3245 (1471)
		35	TNI41-396-12-12L	88 (2235)	3245 (1471)
51		15	TNI51-376-12-51L	106 (2692)	3840 (1741)
		25	TNI51-386-12-51L	106 (2692)	3840 (1741)
		35	TNI51-396-12-51L	106 (2692)	3840 (1741)
52		15	TNI52-376-12-52L	106 (1753)	3735 (1698)
		25	TNI52-386-12-52L	106 (1753)	3735 (1698)
		35	TNI52-396-12-52L	106 (1753)	3735 (1698)
53		15	TNI53-376-12-53L	106 (1753)	3690 (3200)
		25	TNI53-386-12-53L	106 (1753)	3690 (3200)
		35	TNI53-396-12-53L	106 (1753)	3690 (3200)
54		15	TNI54-376-12-54L	106 (1753)	3690 (3200)
		25	TNI54-386-12-54L	106 (1753)	3690 (3200)
		35	TNI54-396-12-54L	106 (1753)	3690 (3200)
62		15	TNI62-376-12-62L	124 (3150)	4340 (1969)
		25	TNI62-386-12-62L	124 (3150)	4340 (1969)
		35	TNI62-396-12-62L	124 (3150)	4340 (1969)
63		15	TNI63-376-12-63L	124 (3150)	4265 (1935)
		25	TNI63-386-12-63L	124 (3150)	4265 (1935)
		35	TNI63-396-12-63L	124 (3150)	4265 (1935)
64		15	TNI64-376-12-64L	124 (3150)	4275 (1939)
		25	TNI64-386-12-64L	124 (3150)	4275 (1939)
		35	TNI64-396-12-64L	124 (3150)	4275 (1939)
65		15	TNI65-376-12-65L	124 (3150)	4275 (1939)
		25	TNI65-386-12-65L	124 (3150)	4275 (1939)
		35	TNI65-396-12-65L	124 (3150)	4275 (1939)

All voltage classes have a height = 53" (1346mm); and depth = 73" (1854mm).

Two Position Load Break Switches

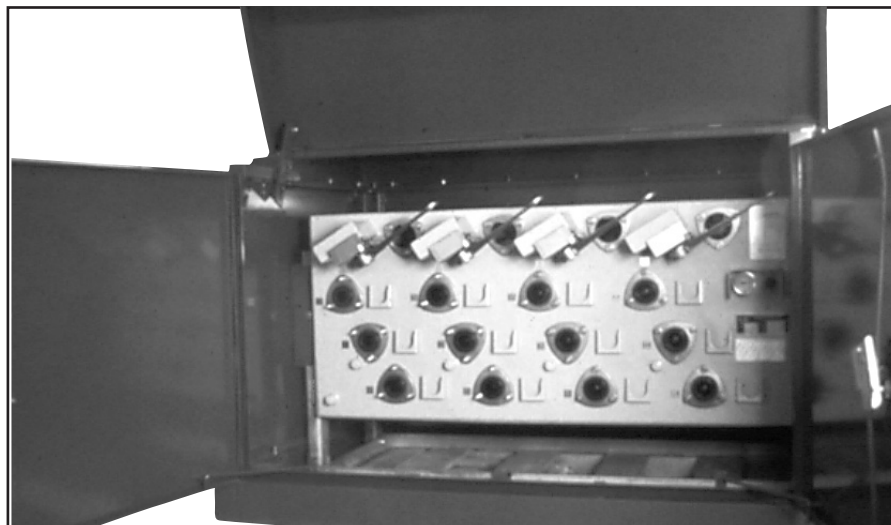
TWO POSITION LOAD BREAK, FRONT ACCESS, SPRAM-F / PRAM-F

Available in rotary puffer (RP) and linear puffer (PI) designs.

SPRAM-F styles provide the most compact construction due to diagonal bushing arrangements with a 6-1/2" phase spacing. These models can accommodate bushing mounted fuses.

PRAM-F styles incorporate in-line bushing arrangements with a 5" phase spacing. Bushings can be top, bottom, front or side mounted.

Rotary Puffer (RP) ratings	
Maximum design voltage,	
kV	15.5 27
Voltage class,	
kV	15 25
Impulse level (BIL)	
kV	110 125
One minute withstand,	
AC kV	35 60
One minute withstand,	
Production test rating	
AC kV	34 40
15 minute withstand,	
DC kV	53 78
Continuous and load break current,	
Amps.....	630 630
Momentary current,	
kA asym	25.6 20
Fault-close current, (3 times)	
kA asym	25.6 20
One second current,	
kA sym.....	16 12.5
Operations load interrupting	
endurance (15kV)	
at 600A.....	500 350
Mechanical endurance,	
operations	2000 2000
Linear Puffer (PI) ratings	
Maximum design voltage,	
kV	15.5 27 38
Voltage class,	
kV	15 25 35
Impulse level (BIL),	
kV	110 125 150
One minute withstand,	
AC kV	35 60 70
One minute withstand,	
Production test rating	
AC kV	34 40 50



▲ Front access SPRAM44-F shown.



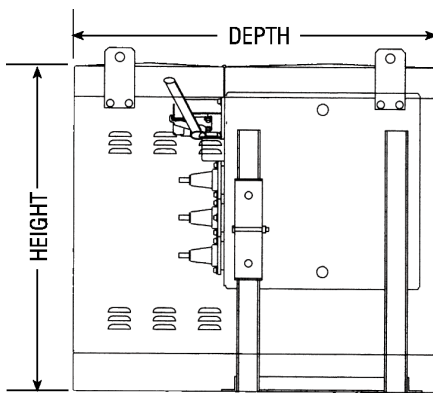
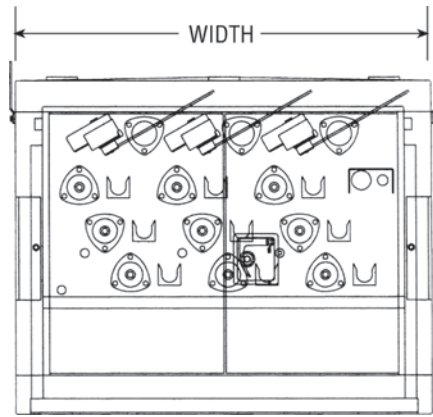
▲ Front access PRAM33-F shown.

15 minute withstand,	
DC kV	53 78 103
Continuous and load break current,	
Amps*.....	630 630 630
Momentary current,	
kA asym	40 40 40
Fault-close current, (3 times)	
kA asym	40 40 40
One second current,	
kA sym.....	25 25 25
Open gap withstand,	
kV	200 200 200
10 operation overload interrupting	
capability,	
Amps.....	3000 3000 3000

Operations load interrupting	
at 600A.....	1200 1200 1200
Mechanical endurance,	
operations	2000 2000 2000
*900A available	

Two Position Load Break Switches

TWO POSITION LOAD BREAK, FRONT ACCESS, SPRAM-F / PRAM-F



*SPRAM catalog numbers shown. For PRAM catalog numbers, remove prefix "S".

**For RP designs: Enclosure depth = 48.6" (1234mm), height = 58.7" (1491mm) based on SPRAM style. For PRAM style add up to 8" (207mm) to width dimensions. Depth and height are the same as SPRAM style.

For PI designs: Enclosure depth = 55" (1397mm), height = 46" (1168mm) based on SPRAM style. For PRAM style add 2.5" (63mm) per way to width dimensions. Depth and height are the same as SPRAM style.

Dimensions are approximate.
Do not use for construction.

One-line Diagram (Horizontal)	Voltage Class (kV)	Mom. (kA) asym.	Catalog Number*	Approximate	
				Width in. (mm)**	Wt. w/SF ₆ lbs (kg)

SPRAM-F Two Position Load Break, Front Access

	15	25	SPRAM21-376F-25RP	38.1 (969)	1100 (499)
		40	SPRAM21-376F-40PI	41.1 (1045)	1350 (614)
	25	20	SPRAM21-386F-20RP	38.1 (969)	1100 (499)
		40	SPRAM21-386F-40PI	41.1 (1045)	1350 (614)
	35	40	SPRAM21-396F-40PI	41.1 (1045)	1350 (614)
		15	25	SPRAM33-376F-25RP	50.1 (1274)
40			SPRAM33-376F-40PI	53.8 (1365)	1700 (773)
25		20	SPRAM33-386F-20RP	50.1 (1274)	1400 (636)
		40	SPRAM33-386F-40PI	53.8 (1365)	1700 (773)
35		40	SPRAM33-396F-40PI	53.8 (1365)	1700 (773)
		15	25	SPRAM44-376F-25RP	62.1 (1578)
	40		SPRAM44-376F-40PI	66.1 (1680)	2000 (909)
	25	20	SPRAM44-386F-20RP	62.1 (1578)	1700 (772)
		40	SPRAM44-386F-40PI	66.1 (1680)	2000 (909)
	35	40	SPRAM44-396F-40PI	66.1 (1680)	2000 (909)
		15	25	SPRAM55-376F-25RP	74.1 (1883)
40			SPRAM55-376F-40PI	78.6 (1997)	2500 (1136)
25		20	SPRAM55-386F-20RP	74.1 (1883)	2000 (908)
		40	SPRAM55-386F-40PI	78.6 (1997)	2500 (1136)
35		40	SPRAM55-396F-40PI	78.6 (1997)	2500 (1136)
		15	25	SPRAM66-376F-25RP	86.1 (2187)
	40		SPRAM66-376F-40PI	91 (2311)	2600 (1182)
	25	20	SPRAM66-386F-20RP	86.1 (2187)	2200 (999)
		40	SPRAM66-386F-40PI	91 (2311)	2600 (1182)
	35	40	SPRAM66-396F-40PI	91 (2311)	2600 (1182)
		15	25	SPRAM45-376F-25RP-BT	74.2 (1885)
40			SPRAM45-376F-40PI-BT	78.5 (1991)	2000 (909)
25		20	SPRAM45-386F-20RP-BT	74.2 (1885)	2250 (1023)
		40	SPRAM45-386F-40PI-BT	78.5 (1991)	2000 (909)
35		40	SPRAM45-396F-40PI-BT	78.5 (1991)	2000 (909)

For typical specifications, go to: gwelec.com/specs.html

For contact principle, see pages 32 and 33.

Two Position Load Break Switches

TWO POSITION LOAD BREAK, FRONT / BACK ACCESS PRAM-L STYLE

Front / back access designs incorporate all operating mechanisms in one compartment and in-line cable entrance bushings in a separate compartment.

- Linear Puffer (PI) ratings
Maximum design voltage,
kV15.5.....27 38
- Voltage class,
kV15.....25 35
- Impulse level (BIL),
kV110..... 125 150
- One minute withstand,
AC kV35.....60 70
- One minute withstand,
Production test rating
AC kV34.....40 50
- 15 minute withstand,
DC kV53.....78 103
- Continuous and load break current,
Amps*630..... 630 630
- Momentary current,
kA asym40.....40 40
- Fault-close current, (3 times)
kA asym40.....40 40
- One second current,
kA sym.....25.....25 25
- Open gap withstand,
kV200..... 200 200
- 10 operation overload interrupting
capability,
Amps.....3000..... 3000..... 3000
- Operations load interrupting
at 600A.....1200..... 1200.... 1200
- Mechanical endurance,
operations2000..... 2000.... 2000
- *900A available



FRONT VIEW

One-line Diagram (Horizontal)	Voltage Class (kV)	Mom. (kA) asym.	Catalog Number	Approximate	
				Width in. (mm)*	Wt. w/SF ₆ lbs (kg)

PRAM-L TWO POSITION LOAD BREAK, FRONT / BACK ACCESS

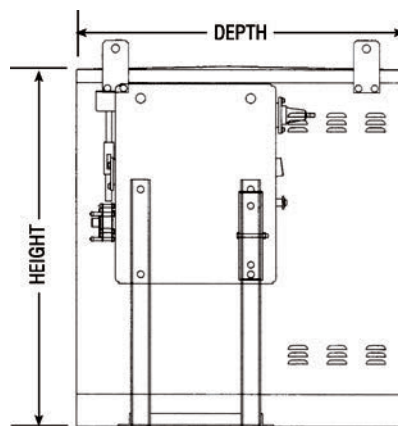
	15	40	PRAM21-376L-40PI	41 (1041)	1550 (705)
	25	40	PRAM21-386L-40PI	41 (1041)	1550 (705)
	35	40	PRAM21-396L-40PI	41 (1041)	1550 (705)
	15	40	PRAM33-376L-40PI	55 (1397)	1682 (763)
	25	40	PRAM33-386L-40PI	55 (1397)	1682 (763)
	35	40	PRAM33-396L-40PI	55 (1397)	1682 (763)
	15	40	PRAM44-376L-40PI	70 (1778)	1800 (818)
	25	40	PRAM44-386L-40PI	70 (1778)	1800 (818)
	35	40	PRAM44-396L-40PI	70 (1778)	1800 (818)
	15	40	PRAM55-376L-40PI	86 (2184)	2400 (1089)
	25	40	PRAM55-386L-40PI	86 (2184)	2400 (1089)
	35	40	PRAM55-396L-40PI	86 (2184)	2400 (1089)
	15	40	PRAM66-376L-40PI	101 (2565)	2600 (1182)
	25	40	PRAM66-386L-40PI	101 (2565)	2600 (1182)
	35	40	PRAM66-396L-40PI	101 (2565)	2600 (1182)

*At 15kV: Enclosure depth = 50.8" (1289mm), height = 55" (1397mm).

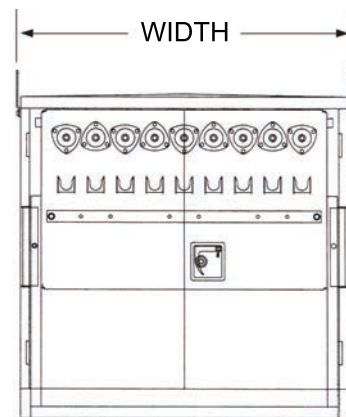
At 25 & 35kV: Enclosure depth = 57.8" (1468mm), height = same.

For typical specifications, go to: gwelec.com/specs.html

For contact principle, see page 31.



SIDE VIEW



BACK VIEW

Dimensions are approximate.
Do not use for construction.

Three Position Load Break Switches

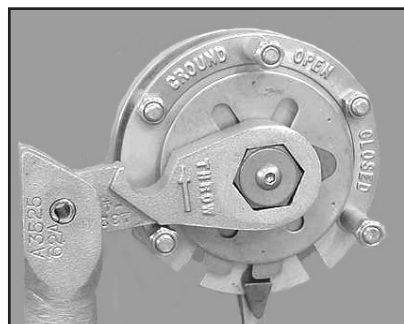
THREE POSITION LOAD BREAK, FRONT ACCESS, T-RP STYLE

(Close-Open-Ground)

An integral ground position within the switch tank permits safe and easy grounding of the cable circuit without having to disconnect elbow or other cable entrance connections. Switching to ground is accomplished through the simple throw of the operating handle without having to de-energize other circuits through the switch. This feature is beneficial for applications where cable movement needs to be minimized. Ground stops with padlocking provisions help assure proper operation to the desired position.

Rotary Puffer (RP) Ratings

Maximum design voltage,			
kV	15.5	27	38
Voltage class,			
kV	15	25	35
Impulse level (BIL),			
kV	110	125	150
One minute withstand,			
AC kV	35	60	70
One minute withstand,			
Production test rating			
AC kV	34	40	50
15 minute withstand,			
DC kV	53	78	103
Continuous and load break current,			
Amps.....	630	630	630
Momentary current,			
kA asym	40	40	40
Fault-close current, (3 times)			
kA asym	32	32	32
One second current			
kA sym.....	25	25	25
Mechanical endurance,			
operations	2000	2000	2000



▲ Multi-position operator and removable handle.

One-line Diagram (Horizontal)	Voltage Class (kV)	Mom. (kA) asym.	Catalog Number	Approximate	
				Width in. (mm)	Wt. w/SF ₆ lbs (kg)

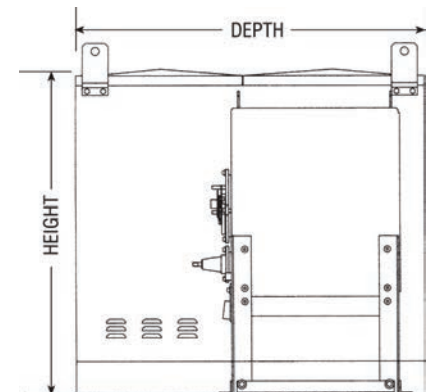
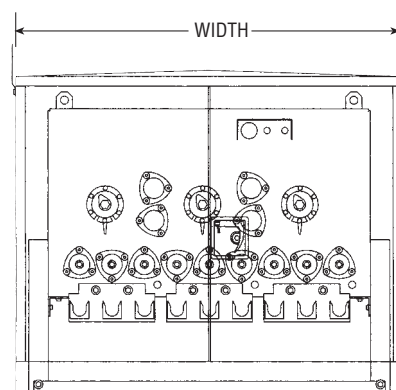
T-RP STYLE (GROUND SWITCHES)

	15	40	T21-376F-40RP	45 (1143)	1400 (636)
	25	40	T21-386F-40RP	45 (1143)	1400 (636)
	35	40	T21-396F-40RP	45 (1143)	1400 (636)
	15	40	T33-376F-40RP	60 (1524)	1600 (714)
	25	40	T33-386F-40RP	60 (1524)	1600 (714)
	35	40	T33-396F-40RP	60 (1524)	1600 (714)
	15	40	T44-376F-40RP	75 (1905)	2100 (953)
	25	40	T44-386F-40RP	75 (1905)	2100 (953)
	35	40	T44-396F-40RP	75 (1905)	2100 (953)
	15	40	T55-376F-40RP	90 (2286)	2300 (1044)
	25	40	T55-386F-40RP	90 (2286)	2300 (1044)
	35	40	T55-396F-40RP	90 (2286)	2300 (1044)
	15	40	T66-376F-40RP	105 (2667)	2750 (1250)
	25	40	T66-386F-40RP	105 (2667)	2750 (1250)
	35	40	T66-396F-40RP	105 (2667)	2750 (1250)

Enclosure depth = 51" (1448mm), height = 49" (1245mm).

For typical specifications, go to: gwelec.com/specs.html

For contact principle, see page 32.



Dimensions are approximate.
Do not use for construction.

Fault Interrupting Switches

VACUUM INTERRUPTERS

G&W Vacuum Interrupters combine the total cost and operating benefits of fuseless, electronically controlled, resettable overcurrent protection with the safety and maintenance benefits of a totally sealed, dead-front SF₆ insulated device. The switches are designed for automatic single or three phase fault interruption with manual load break capabilities for systems through 38kV, 630A continuous.

FI Mechanism

Maximum design voltage, kV	15.5	27
Voltage class, kV	15	25
Impulse level (BIL), kV	110	125
One minute withstand, AC kV	50	60
One minute withstand, Production test rating AC kV	34	40
15 minute withstand, DC kV	53	78
Continuous and load break current, Amps.....	630	630
Symmetrical interrupting rating, kA	12.5	12.5

VI Mechanism

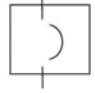
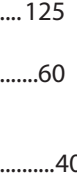
Maximum design voltage, kV	15.5	27	38
Voltage class, kV	15	25	35
Impulse level (BIL), kV	95	125	150
One minute withstand, AC kV	50	60	70
One minute withstand, Production test rating AC kV	34	40	50
15 minute withstand, DC kV	53	78	103
Continuous and load break current, Amps.....	630	630	630
Symmetrical interrupting rating, kA*	12	12	12

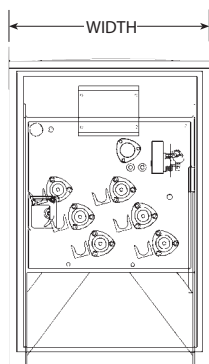
*20kA available

Dimensions are approximate.
Do not use for construction.

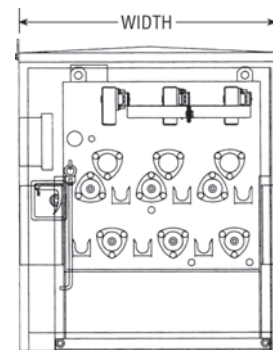
Phases	Three-line Diagram	Voltage Class (kV)	Amp	Catalog Number*	Approximate	
					Width in. (mm)†	Wt. w/SF ₆ lbs (kg)

VACUUM INTERRUPTER SWITCHES

1		15	630	PVI20-176-12-4F	24.5 (622)	575 (261)
		25	630	PVI20-186-12-4F	24.5 (622)	575 (261)
		35	630	PVI20-196-12-4F	24.5 (622)	575 (261)
3		15	630	PNI20-376-25-4F	45.1 (1146)	1051 (476)
			630	PF120-376-12-4F	38.2 (970)	1200 (545)
			630	PVI20-376-12-4F	45.8 (1163)	1000 (455)
		25	630	PNI20-386-25-4F	45.1 (1146)	1051 (476)
			630	PF120-386-12-4F	38.2 (970)	1200 (545)
			630	PVI20-386-12-4F	45.8 (1163)	1000 (455)
		35	630	PNI20-396-12-4F	45.1 (1146)	1051 (476)
			630	PVI20-396-12-4F	52 (1321)	1150 (523)



Three phase model PFI with FI mechanism.



Three phase model PVI with VI mechanism.

NI Mechanism

Maximum design voltage, kV	15.5	27	38
Voltage class, kV	15	25	35
Impulse level (BIL), kV	110	125	150
One minute withstand, AC kV	50	60	70
One minute withstand, Production test rating AC kV	34	40	50
15 minute withstand, DC kV	53	78	103
Continuous and load break current, Amps.....	630	630	630
Symmetrical interrupting rating, kA	25	25	12.5**

**25kA available

*For 200A models, replace the "6" with "2", i.e. PVI20-172-12-4F.

†For Model PVI (single phase):
At 15-35kV: Enclosure height = 38" (965mm), depth = 36" (914mm).

For Model PVI (three phase):
At 15kV: Enclosure height = 49" (1245mm), depth = 38" (965mm).
At 25/35kV: Enclosure height = 61" (1549mm), depth = 45" (1143mm).

For Model PFI (three phase):
At 15-25kV: Enclosure height = 59" (1499mm), depth = 49" (1245mm).

For typical specifications, go to:
gwelec.com/specs.html

For contact principle, see pages 30 and 31.

Fault Interrupting Switches

TWO POSITION, FRONT ACCESS FUSED FPRAM-F STYLE



▲ Canister fuses incorporate a provision for hookstick removal and replacement.

G&W's fused FPRAM-F style switches combine linear puffer (LP) contacts for source switches with rotary puffer (RP) contacts for fused ways. Bushings can be front or bottom mounted. For applications requiring current limitation and over-current interruption through 50kA symmetrical, air canister style current limiting fusing is available.

CANISTER FUSES

For new orders, integral air insulated, canister style current limiting fusing is available for systems through 23kV. Canister style fused switches feature compact, dead-front construction with mechanical or key interlocking arrangements preventing access to the fuses unless the switch is in the open position. Safe, quick fuse replacement is accomplished using conventional tools and without exposing switch dielectric or current carrying parts to environmental contamination. Two fuses can be connected in parallel to double the capacity rating of the switch. The general purpose fuses are IEEE C37.473.C rated and can interrupt both high and low level fault currents while limiting the available fault current on the system.

One-line Diagram	Voltage Class (kV)	Catalog Number	Amp Max.*	Approximate	
				Width in (mm)	Wt. w/SF ₆ lbs (kg)

FUSED FPRAM-F SWITCHES

	15	FPRAM21-376F-40PI	40	47 (1194)	750 (341)
	23	FPRAM21-386F-40PI	40	47 (1194)	750 (341)
	15	FPRAM33-376F-40PI	40	62 (1575)	1060 (482)
	23	FPRAM33-386F-40PI	40	62 (1575)	1060 (482)
	15	2FPRAM44-376F-40PI	40	87 (2210)	1375 (625)
	23	2FPRAM44-386F-40PI	40	87 (2210)	1375 (625)
	15	3FPRAM55-376F-40PI	40	112 (2845)	1690 (768)
	23	3FPRAM55-386F-40PI	40	112 (2845)	1690 (768)
	15	4FPRAM66-376F-40PI	40	137 (3480)	2005 (911)
	23	4FPRAM66-386F-40PI	40	137 (3480)	2005 (911)

RATINGS

Maximum design voltage, kV	15.5	27
Voltage class, kV	15	25
Impulse level (BIL) kV	110	125
One minute withstand, AC kV	35	60
One minute withstand, Production test rating AC kV	34	40
15 minute withstand, DC kV	53	78
Continuous and load break current, Amps	630	630
Momentary current, kA asym	25.6	20
Fault-close current, (3 times) kA asym	25.6	20
One second current, kA sym	16	12.5
Operations load interrupting endurance (15kV) at 600A	500	350
Mechanical endurance, operations	2000	2000

*Fuses can be paralleled for 80 amp. max. capability.

Enclosure height = 60.5" (1537),
depth = 55" (1397mm).

For typical specifications, go to:
gwelec.com/specs.html

For contact principle, see pages
36-37.

AIR CANISTER FUSE RATINGS

Types of Fuseholders by Voltage Class	Single Holder Fuse Ratings	Parallel Holder Fuse Ratings
8.3kV Max. 95kV BIL	18 to 82 Amp at 4.3kV Max.	90 to 164 Amp at 4.3kV Max.
	6 to 72 Amp at 5.5kV Max.	80 to 144 Amp at 5.5kV Max.
	1.5 to 40 Amp at 8.3kV Max.	50 to 80 Amp at 8.3kV Max.
15.5kV Max. 125kV BIL	1.5 to 40 Amp at 15.5kV Max.	34 to 80 Amp* at 15.5kV Max.
23kV Max. 125kV BIL	6 to 29 Amp at 23kV Max.	30 to 58 Amp* at 23kV Max.

Voltage class measured line-to-ground.

*Fuses rated above 25 Amps are required to be non-gassing fuses.

Dimensions are approximate.
Do not use for construction.

Contact Principles

MODEL FI AND NI VACUUM INTERRUPTER MECHANISM PRINCIPLE

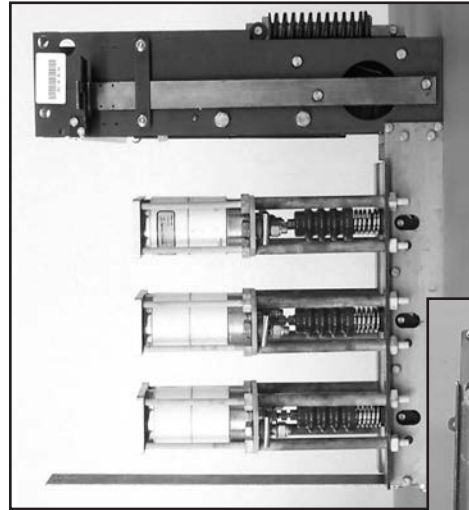
Add to appropriate switch specifications.

Ratings for FI modules available through 25kV, with 12.5kA symmetric interrupting. Ratings for NI modules available through 35kV, with 12.5kA, 20kA and 25kA symmetric interrupting.

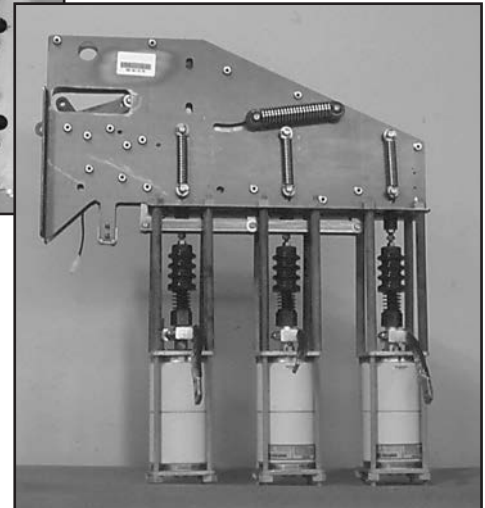
The model FI and NI vacuum interrupters consist of three vacuum bottles mechanically linked to a single spring-assisted operating mechanism. Once initiated, the interrupting time of the vacuum bottles is approximately 3 cycles (50 millisecond). A position indicator (open-green, closed-red) driven by the operating mechanism and is visible through a viewing window for positive contact position. The mechanical linkage assembly provides a “trip-free” operation permitting the vacuum interrupter to interrupt independent of the operating handle if closing into a faulted circuit.

The control monitors the current on each phase and activates a trip solenoid to open the three vacuum bottles if an overcurrent on any phase is sensed. The control is self-powered by current transformers mounted inside the sealed switch tank. No external power source is required. Load current is required for the control to be activated unless the optional remote power feature is specified. The trip selector is used to select the time-current response curve for the tap circuits. The time-current response curves are chosen with the phase selector switches on the face plate of the control. Selection of time-current characteristics may be made under load or no-load conditions with continuous current ranges in twelve selectable levels.

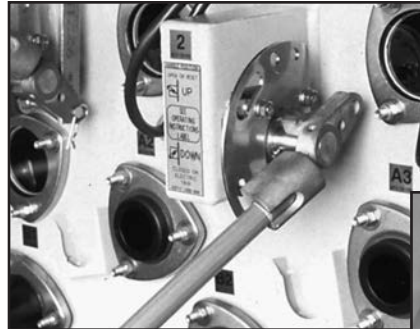
The manual trip and reset of the vacuum interrupter is accomplished through a single handle operating all three phases simultaneously.



◀ Model FI three phase mechanism.



Model NI three phase mechanism. ▶



◀ Three phase interrupter operating handle for manual three phase operation and reset.

Motor actuators (below) can be added for remote operation.



▲ Position indicators provide visible verification of contact position through viewing windows. ▶



Motor actuators can be provided. Optional push-button on the controls also permit manual tripping.

Contact Principles

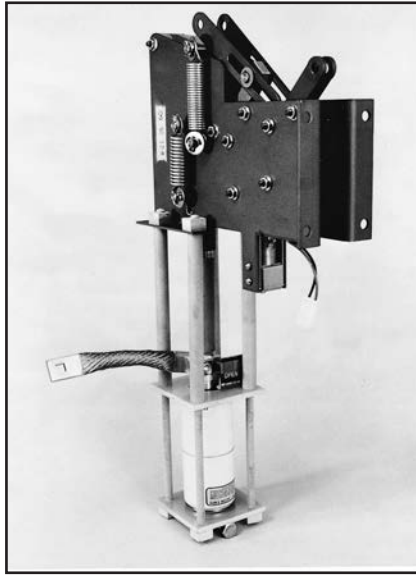
MODEL VI VACUUM INTERRUPTER MECHANISM PRINCIPLE

Add to appropriate switch specifications.

Ratings available through 35kV, with 12kA interrupting with an option for 20kA. Mechanisms are field retrofittable between single phase and three phase operation.

For single phase operation, the model VI vacuum interrupter consists of a single vacuum bottle mechanically linked to a spring-assisted operating mechanism. For three phase operation, the single phase mechanisms are mechanically linked together with an external operating handle assembly. These mechanisms are field retrofittable between single phase and three phase operation. In both cases, once initiated, the interrupting time of the vacuum bottles is approximately 3 cycles (50 millisecond). A position indicator (open-green, closed-red) is mounted to the moving contact and is visible through a viewing window for positive contact position. The mechanical linkage assembly provides a "trip-free" operation permitting the vacuum interrupter to interrupt independent of the operating handle if closing into a faulted circuit.

The control monitors the current on each phase and activates a trip solenoid to open one or all three vacuum interrupters if an overcurrent on any phase is sensed. The control is self-powered by current transformers mounted inside the sealed switch tank. No external power source is required. Load current is required for the control to be activated unless the optional remote power feature is specified. The trip selector is used to select the time-current response curve for the tap circuits. Factory setting for single or three phase tripping is standard.



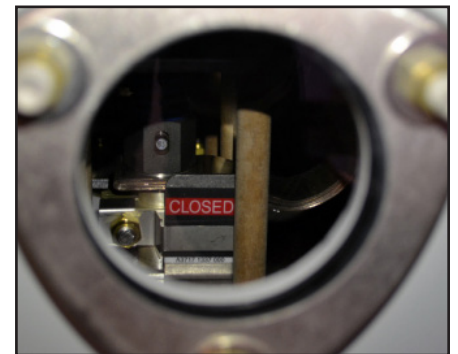
◀ Single phase VI mechanism.



Photos below: Interrupter operating handles for manual single phase (below) or three phase (left) operation and reset. Motor actuators can be added to three phase for remote operation.

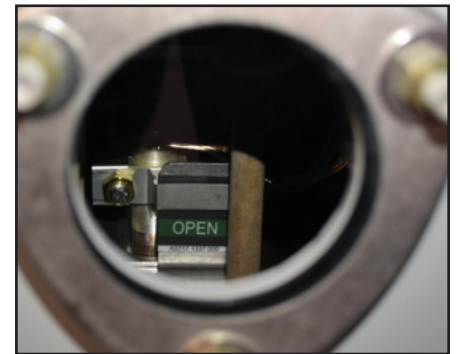


Position indicators (right) provide ▶ contact position indication through viewing windows.



The time-current response curves are chosen with the phase selector switch on the face plate of the control. Selection of time-current characteristics may be made under load or no-load conditions with continuous current ranges in twelve selectable levels.

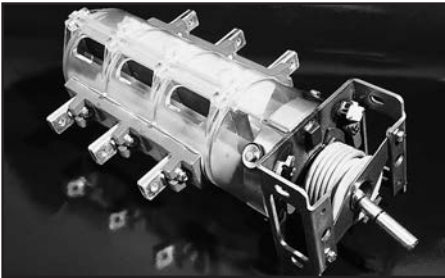
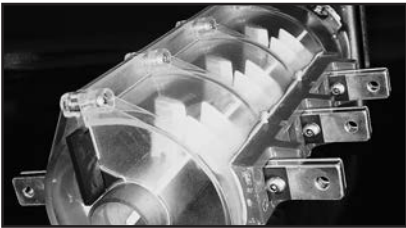
The manual trip and reset of the vacuum interrupter is accomplished through an operating handle. Motor actuators can be provided for remote control. Optional push-button on the control also permits manual tripping.



Contact Principles

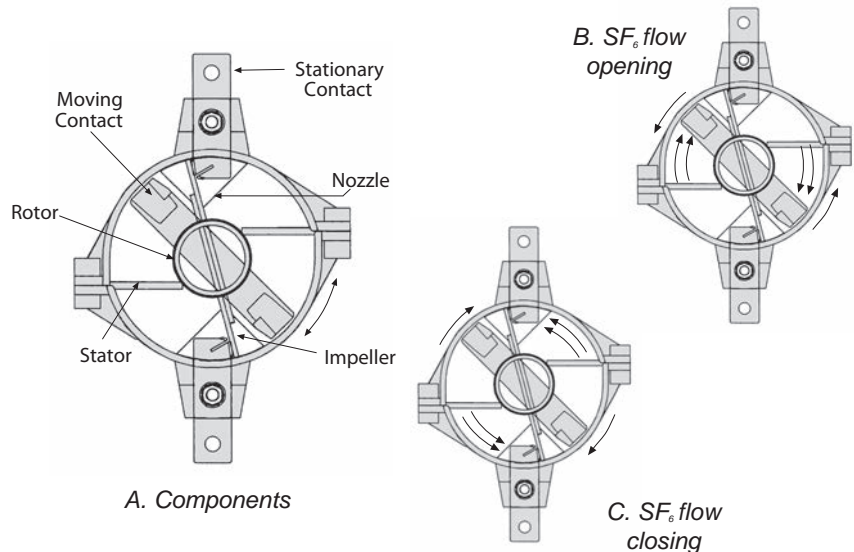
TWO POSITION, ROTARY PUFFER STYLE

G&W's patented Rotary Puffer (RP) style, two-position switches are ideal for manual load break switching, automatic transfer or automated sectionalizing applications rated through 25kV, 630A continuous. This module allows for the smallest switch footprint. Switches are tested to 500 loadbreak operations at 15kV and 350 operations at 25kV. Switches also tested to 2000 mechanical operations. Current limiting fuses or electronically controlled vacuum interrupters can be added for overcurrent protection. G&W's RP style contact system provides extremely efficient, high speed arc extinction for maximum service life.



▲ Two position rotary puffer mechanism.

TWO POSITION, ROTARY PUFFER CONTACT PRINCIPLE



A. The stationary contacts and the multi-chamber rotor (an assembly of interlocking parts which form a rotational framework including moving contacts) are housed in a clear cylindrical shell. The stationary contacts are supported independent of the cable entrance bushings, eliminating possible misalignment resulting from tank deflections. Tank deflections are caused by normal tank pressure variance due to ambient temperature fluctuations. Each rotating contact simultaneously disengages from two stationary contacts, providing two break points per phase. This provides improved interrupting capability as compared to single break contact systems.

B. As the rotor tube assembly turns to disengage the moving contact from the stationary contacts, dielectric media (SF₆ gas) is compressed between the impeller and stator. The shell, phase barrier and rotor tube also act to confine the gas for proper compression and flow. The compressed SF₆ gas is directed through the nozzle into the arc zone. The SF₆ flows (is puffed) across the contacts and around the arc established by the separating contacts, cooling the arc over the length of the nozzle. The cooling action is increased by the higher pressure (due to compression) and the flow of gas which constantly provides a supply of cool SF₆ into the arc zone.

At current zero, the temperature of the arc is reduced to the point of deionization. The SF₆ gas rapidly recovers dielectric strength withstanding the system recovery voltage and preventing re-ignition of current across the contacts.

C. As the rotor tube assembly turns to engage the moving contact with the stationary contacts, the impeller induces a flow of SF₆ gas between the contacts to minimize pre-strike.

Contact Principles

TWO POSITION, LINEAR PUFFER STYLE

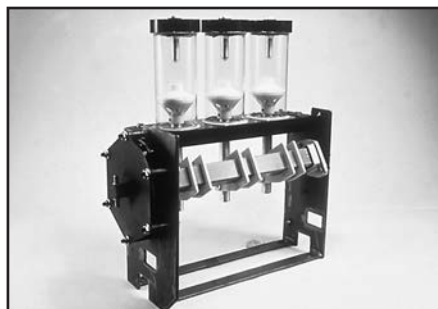
G&W's patented Linear Puffer (LP) style, two-position switches are ideal for heavy duty manual load break switching, automatic transfer or automated sectionalizing applications rated through 35kV, 900A continuous and 40kA asymmetrical short circuit. Switches are tested to 1200 loadbreak and 2000 mechanical operations. Current limiting fuses or electronically controlled vacuum interrupters can be added for overcurrent protection. G&W's LP style contact system provides extremely efficient, high speed arc extinction for maximum service life.

Stored Energy Mechanism

Linear puffer switches can be supplied with internal stored energy (cock and trip) mechanisms for both the open and close operators permitting high speed local or remote operation. A separate external trip handle is provided. An optional internal solenoid permits remote operation.

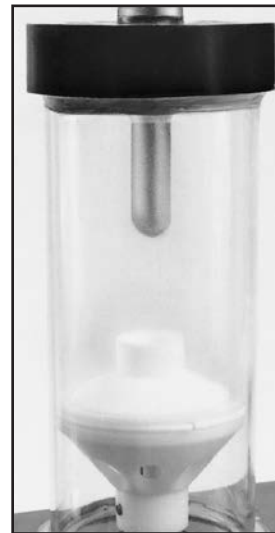
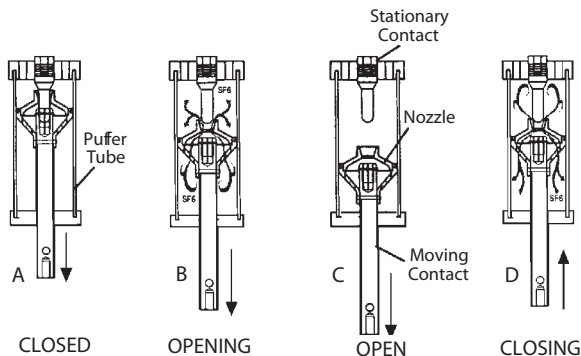


▲ Three phase visible position of contacts.



▲ Three phase linear puffer mechanism.

TWO POSITION, LINEAR PUFFER CONTACT PRINCIPLE



A. The stationary contact and piston assembly (containing the moving contact and nozzle) are housed in clear cylindrical tubes. These are mounted in a modular three-phase assembly which is independent of the switch tank. The stationary contacts are supported independent of the cable entrance bushings, eliminating possible misalignment resulting from tank deflections. Tank deflections are caused by normal tank pressure variance due to ambient temperature fluctuations. This construction eliminates contact alignment difficulties caused by deflections of the switch tank walls. The modular construction also allows testing of the module during assembly and complete flexibility in switch design and configuration. The nozzle which directs the flow of SF₆ has a converging/diverging geometry (see photo) which improves the arc interruption capability over designs using straight throated nozzles. The converging portion of the nozzle has a constantly decreasing flow area up to the nozzle throat minimizing velocity changes in the flow of SF₆ gas, while improving arc interruption and dielectric recovery.

B. As the contacts separate, the SF₆ is compressed by the piston assembly and directed into the arc zone by the nozzle. The compressed SF₆ flows (is puffed) across the contacts and around the arc established by the separating contacts. The cooling action of the gas is increased by the higher pressure (due to compression) and the flow which constantly provides a supply of cool SF₆ into the arc zone.

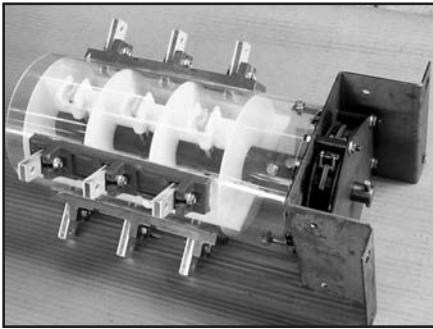
C. At current zero the temperature of the arc is reduced to the point of deionization, ceasing the flow of current. The SF₆ rapidly recovers dielectric strength withstanding the system recovery voltage across the contacts.

D. As the contacts are closing, the piston assembly compresses the SF₆ between the contacts. This increases the dielectric strength of the gap, minimizing prestrike. The contacts are designed using a tulip bayonet construction (see photo). The sliding action of the contacts on engagement provides a self cleaning action of the main current carrying surfaces. The contact fingers are designed for increasing contact pressure with increasing current for proper operation during momentary or close-into-fault conditions. The contacts have arc resistant copper tungsten tips to minimize erosion of material during load switching and prevent damage to the main current transfer area of the contacts.

Contact Principles

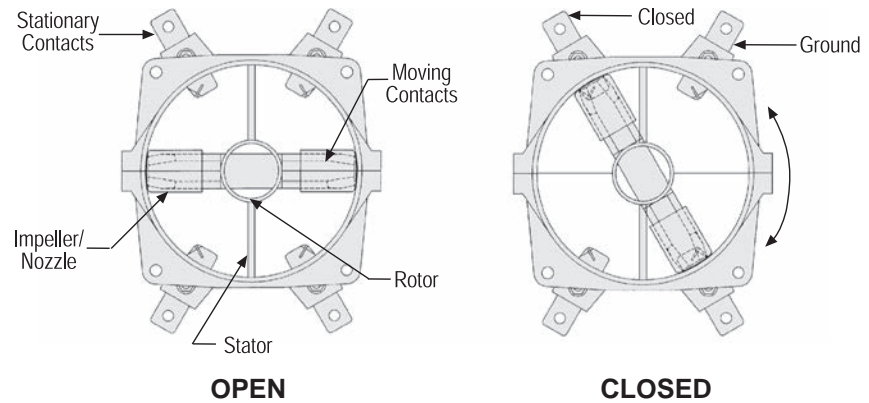
THREE POSITION, ROTARY PUFFER STYLE

For systems through 35kV, 630A continuous current with 40kA asym. momentary, 32kA asym. close into fault, and 25kA sym. one second current; rotary puffer (RP) style switches are used. G&W's multi-position spring operator permits an integral third switching position to increase the application capability over conventional two position switches. Three position switches combine increased switching flexibility with compact construction.



▲ Three position rotary puffer mechanism.

THREE POSITION, ROTARY PUFFER CONTACT PRINCIPLE



A. The stationary contacts and the multi-chamber rotor (an assembly of interlocking parts which form a rotational framework including moving contacts) are housed in a clear cylindrical shell. The stationary contacts are supported independent of the cable entrance bushings, eliminating possible misalignment resulting from tank deflections. Tank deflections are caused by normal tank pressure variance due to ambient temperature fluctuations. Each rotating contact simultaneously disengages from two stationary contacts, providing two break points per phase. This provides improved interrupting capability as compared to single break contact systems.

B. As the rotor tube assembly turns to disengage the moving contact from the stationary contacts, dielectric media (SF_6 gas) is compressed between the impeller and stator. The shell, phase barrier and rotor tube also act to confine the gas for proper compression and flow. The compressed SF_6 gas is directed through the nozzle into the arc zone. The SF_6 flows (is puffed) across the contacts and around the arc established by the separating contacts, cooling the arc over the length of the nozzle. The cooling action is increased by the higher pressure (due to compression) and the flow of gas which constantly provides a supply of cool SF_6 into the arc zone.

C. At current zero, the temperature of the arc is reduced to the point of deionization. The SF_6 gas rapidly recovers dielectric strength withstanding the system recovery voltage and preventing re-ignition of current across the contacts.

D. As the rotor tube assembly turns to engage the moving contact with the stationary contacts, the impeller induces a flow of SF_6 gas between the contacts to minimize pre-strike.

SWITCH REMOTE CONTROL PACKAGES

For electrical remote operation, motor actuators can be added. Various control packages are available:

- Single way controls.
Either stationary or portable.
Powered by 120 or 240VAC or up to 125VDC. AC powered controls are available with or without battery backup.
- Multi-way controls
Switch controls, such as Schweitzer's SEL 451, are available for applications requiring one control to operate numerous switch ways on one switch or numerous switches from one control.

LAZER® AUTOMATION

G&W's Lazer distribution automation system is a pre-engineered control package that works in conjunction with power distribution switchgear to perform automatic switching operations on overhead and underground loop distribution circuits. G&W utilizes over 100 years of industry experience to match the proper switchgear with the proper control for the application. Lazer solutions are available using the customer's preferred relay brand.

Lazer is a protection and control package that features one or more protective relays, equipped with distributed capabilities and peer-to-peer communication to make intelligent operating decisions and to monitor field conditions. Lazer focuses on critical load installations to maximize service reliability.

G&W's Lazer automation system specifically addresses fault detection, isolation and restoration (FDIR)



▲ Padmount switch with SEL controls.

requirements. It continuously monitors the circuit. When it senses an electrical overload or short circuit fault within its protection zone, it issues a command to the appropriate switchgear to trip-open within a pre-determined time delay based on the severity of the fault.

Communication with other upstream and downstream Lazer devices function continually to determine what other actions are required to reconfigure the circuits to automatically restore power to customers connected to the unfaulted lines. The entire process from fault detection to system restoration can typically be completed within 60 seconds or less.

Communications
Flexible communication and open protocols are critical for integrating to existing Smart Grids and expanding to handle future needs. Lazer solutions offer flexible communication using hardwired connections, fiber optic cable, or a range of wireless technologies on RS232, RS485, and Ethernet ports.

Some of the different protocols available are:

- DNP 3.0
- SEL Mirrored Bits® (proprietary)
- IEC61850 with GOOSE messaging

Project Examples

- Distributed automatic transfer including reclosers and SEL-451 controls over fiber optic cable.
- Open Loop FDIR including switches, ABB REC670 relays and ABB RTU560 HMI.
- Closed Loop FDIR including switches, SEL-351s and Survalent software.
- Open Loop Upgrade including switches, SEL-451 and SEL-751A over fiber optic.
- High Speed Single Phase Tripping Closed Loop including reclosers and SEL-651R over fiber optic cable.

AUTOMATIC TRANSFER

ATC 451

G&W ATC 451 automatic transfer controls are available for G&W SF₆ gas switchgear through 38kV. Switches can be dry or submersible vault, padmount or pole mount styles. The two incoming source ways can be located in one switch, or in two separate switches for added redundancy. Manual switches can be retrofitted in the field. Standard transfer times are within 8-10 seconds.

Features

Uses SEL-451 relay - G&W's ATC 451 control utilizes the field proven Schweitzer SEL 451 relay for its protection logic and programming scheme.

Plug and play construction - The ATC 451 is pre-programmed and packaged with all required components to simplify installation and maximize reliable performance. Various styles of NEMA enclosures are available depending on the application.

Overcurrent protection for two fault interrupting ways - The ATC 451 can eliminate the need for separate vacuum interrupter controls. Depending on user preference and system protection schemes, various styles of separate interrupter controls are available.

SCADA ready - Each ATC 451 comes standard with several serial ports for communication to SCADA systems. Multiple protocols are available including DNP3.0 (standard), Mirrored Bits (standard), and IEC 61850 (option). Ethernet or fiber optic ports for communications are also available options.

Lazer® ready - The SCADA ready capability simplifies the requirements



▲ ATC 451 control panel.

for communication to other intelligent field devices for automatic power restoration schemes. This simplifies the integration of the ATC into any G&W pre-engineered Lazer automation system where automatic transfer is required.

Generator source capability - The 451 can be programmed to permit a standby generator to be used instead of a second utility source.

Bus tie configurations - The ATC 451 can be used with a bus-tie switch permitting automatic transfer where the load is normally balanced between two sources.

User friendly controls - Large pushbuttons are clearly labeled and provide easy control commands from the front panel.

Sequence of event recorder - Each ATC 451 includes a Sequence of Events Recorder which will record the last 1000 entries, including setting changes, powerups, and selectable logic elements.

Flexible voltage sensing options
Integral voltage sensing bushings are available which eliminate the need for cumbersome add-on devices. The bushings are 600A rated, fully submersible, and provide one analog output per phase and

one digital output per way for voltage monitoring. Elbow mounted sensors and potential transformers are also available.

Faster Transfer Speed Options

Switches can be provided with internal cock-and-trip (stored energy) mechanisms permitting transfer times within 15-20 cycles. These switches incorporate an external, hookstick operable handle permitting manual open or close without having to disconnect the motor actuator. Contact G&W if faster transfer times are required.

Accessories and Options

G&W VACUUM INTERRUPTER CONTROLS

The control monitors the current, sends a trip signal which opens the vacuum interrupters and interrupts the fault current. G&W controls are self-powered from the current transformers located inside the solid dielectric module. Controls can be equipped to accept a trip input from a relay or communication device. G&W also offers other controls, such as SEL relays, depending on the application.

The standard control enclosure for padmount applications is fiberglass NEMA 4X (IP56) rated. For vault and subsurface applications, G&W recommends the Type 7 control. The Type 7 is mounted within the switch's mechanism housing and has an IP68 rating for long term submersion.

G&W CONTROL OPTIONS



▲ Type 1 control

Type 1 controls operate three, single phase vacuum interrupting mechanisms. The Type 1 control can be field set for either single phase or three phase trip mode. It is used on switches with either single phase reset or three phase reset handles. When in the three phase mode, all three phases trip if the selected trip level of any individual phase is reached. Trip level selections can be made under load or no-load conditions with 12 selectable minimum trip settings. Two ranges of minimum trip settings are available, 15 to 300 Amps and 30 to 600 Amps. Each unit is pre-programmed with 30 user selectable Time Current Characteristic (TCC) curves. The curve selection can be set or changed while the switch is energized.

An 8 pole dip switch allows the user to choose the TCC that best matches their individual coordination requirements. A label provides a key for the dip switch settings. The control can be factory preset to meet the user's requirements. As protection or coordination requirements change, settings can easily be changed while the switch is

energized. Pressing the manual trip button when the control is powered, electronically trips all three phases of the vacuum interrupter. Each control also includes "Last Cause of Trip" LEDs. These LEDs indicate which phase experienced an overcurrent condition, or that the control was given an external or manual trip command.

Type 2 controls provide a user friendly interface for quick



▲ Type 2 control

and easy programming. Trip level selections can be made under load or no-load conditions with current ranges in 12 selectable levels. Two ranges of minimum trip settings are available, 15 to 300 amps and 30 to 600 amps. Each unit is pre-programmed with 30 Time Current Characteristic (TCC) curves. The curve selection can be set or changed at any time.

An 8 pole dip switch allows the user to choose the TCC curve which best matches their specific coordination requirements. The control can be factory preset to meet the user's requirements. As protection or coordination requirements change, settings can easily be changed in the field. Pressing the manual trip button when the control is powered up trips all three phases of the vacuum interrupter. Each control also includes "Last Cause of Trip" LEDs. These LEDs indicate what caused the control to issue a trip command - an over current condition, Ground Fault, Instantaneous, or an external or manual trip command.

Type 2 controls offer the following features:

- Three phase protection
- Minimum trip setting for all three phases with one selector switch
- Adjustable phase time delay
- Ground fault (phase imbalance) for protection of large three phase motors or transformers. The ground trip setting is represented as a percent of the minimum trip setting.
- Instantaneous trip and inrush restraint features

Accessories and Options



▲ Type 3 control

Type 3 and 4 controls provide advanced protection functions. There are two versions of these controls, each with different protection elements.

The EZset version includes:

- Phase Minimum Trip
- Phase Time Delay
- Phase Instantaneous
- Phase Minimum Response
- Phase Inrush (Cold Load Pickup) Restraint
- Ground Fault (Phase Imbalance) Minimum Trip with a Separate Curve
- 30 Phase/Ground Fault Curve selectors

The Plus version includes all of the above, and in addition includes:

- Ground Fault Time Delay
- Ground Fault Instantaneous
- Ground Fault Minimum Response
- Ground Fault Inrush (Cold Load Pickup) Restraint
- 60 Phase/ Ground Fault Curves including 5 User Creatable Curves
- Maintenance Setting Group

The Type 3 and 4 controls record the 16 most recent Cause of Trip Events. The Type 3 EZset includes a display and keypad for entering programming parameters and viewing the Cause of Trip Events. The Type 3 Plus, and Type 4 EZset and Plus are only laptop programmable. It requires use of a laptop programming kit to enter the settings. The laptop programming kit can also be used to download and store the settings and Cause of Trip Events.

PROGRAMMING KIT

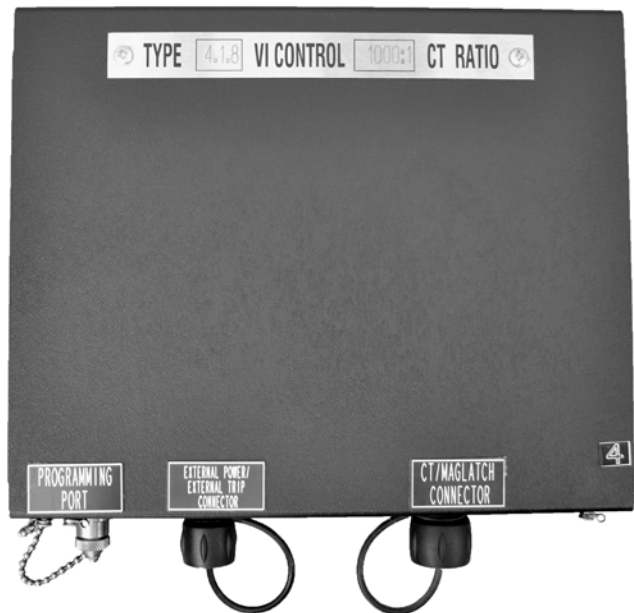
For Type 3 or Type 4

Provides software and cable connection to a laptop computer for programming or retrieving vacuum interrupter control information. The cable connects the USB port of the computer to the Vacuum Interrupter Control (Type 3 or 4)

Catalog Number for
Type 3 or Type 4 LPK7-VICSS



▲ Programming Kit



▲ Type 4.1 control in IP68 rated enclosure



▲ 600A voltage sensing bushings



▲ 200A voltage sensing bushings

3-1/C, 600A OR 200A VOLTAGE SENSING BUSHINGS

G&W's Voltage Sensing Bushing (VSB) system is a temperature compensated, built-in, voltage measuring system that eliminates the need for PTs when analog phase to ground voltage monitoring is required. Compared to potential transformers, the VS bushing system offers these benefits:

- Significant cost savings
- Cleaner, less cumbersome installation
- Less space required
- Fewer add-on components which could potentially fail
- Installed and tested prior to shipment
- Can be field calibrated

The VS bushing system utilizes a capacitively coupled screen which is embedded within the epoxy bushing. The low energy output of the screen can be directly read by some relays. Alternatively, the output is amplified by integral circuitry, resulting in a 0-120 VAC analog output suitable for direct connection to any relay, IED or RTU. The circuitry incorporates built-in calibration and temperature compensation which improve accuracy.

600A Voltage Sensing Bushings

Bushings are designed to IEEE 386 standards with standard interface accepting conventional elbow style connectors and include an aluminum conductor with 5/8"-11 aluminum threaded stud and aluminum single hole pad (elbows must be ordered separately). Bushings are bolt-on style. Copper studs are available. For bottom entry switches, recommended switch frame height is 42" for all voltages.

200A Voltage Sensing Bushings

Bushings are designed to IEEE 386 standards with standard interface accepting deadbreak or loadbreak inserts and conventional elbow connectors (inserts and elbows must be ordered separately). A copper conductor is standard. For bottom entry switches, recommended switch frame height is 42" for all voltages.

SPECIFICATIONS

General Ratings

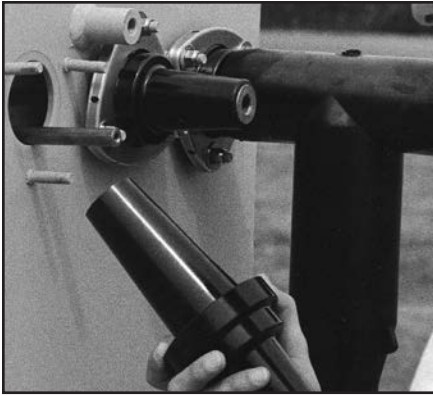
Use on: Grounded wye systems
 Operating temperature: -40°C to +65°C
 Storage temperature: -50°C to +65°C

Input Ratings

Input voltage range (phase to ground) options:
 Low Energy: 1.2 - 4.61 or 4.62 - 21.9kV
 Amplified: 1.7 - 6.2 or 6.2 - 21.9
 Frequency range: 48Hz - 61.2Hz

Output Ratings

Low Energy output voltage: 8 VAC
 Low Energy Relay Input Impedance: 1M Ω
 Nominal amplified output voltage: 120 VAC with digital output contact (1 per 3 phase set)
 Digital pick-up voltage:
 90% of Vnom (on all phases)
 Digital drop-off voltage:
 75% of Vnom (on any phase)
 Maximum burden (per output):
 0.06VA
 Low Energy accuracy:
 +/- 4% from -40°C to 65°C
 (+/- 2% from -20°C to 65°C)
 Amplified accuracy: +/- 5% from -40°C to 65°C



3-1/C, 600A QUIK-CHANGE APPARATUS BUSHINGS

Cable entrance bushings can be damaged at any time due to improper handling, accidental shifting during shipment, elbow failure or even normal wear and tear. In the case of SF₆ gas insulated switches where the tank is totally welded, conventional bushing replacement means sending the switch back to the factory for repair. G&W's exclusive Quik-Change Disconnectable Bushing permits quick, easy field replacement without having to open the switch tank.

Bushings are designed to IEEE 386 standards with standard interface accepting conventional elbow style connectors and include an aluminum conductor with 5/8"-11 aluminum threaded stud and aluminum single hole pad (elbows must be ordered separately). Copper studs are available. For bottom entry switches, recommended switch frame height is 42" for all voltages.



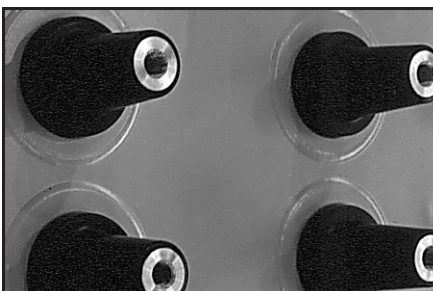
3-1/C, 600A / 900A APPARATUS BUSHINGS

Bushings are designed to IEEE 386 standards with standard interface accepting conventional elbow style connectors and include an aluminum conductor with 5/8"-11 aluminum threaded stud and aluminum single hole pad for a 600A rating (elbows must be ordered separately). A copper conductor is available which extends the continuous current rating to 900A. For bottom entry switches, recommended switch frame height is 42" for all voltages. Welded flange bushings are available.



3-1/C, 200A DEEPWELL BUSHINGS

Bushings are designed to IEEE 386 standards with standard interface accepting deadbreak or loadbreak inserts and conventional elbow connectors (inserts and elbows must be ordered separately). A copper conductor is standard. For bottom entry switches, recommended switch frame height is 42" for all voltages. Welded flange bushings are available.



3-1/C, 600A APPARATUS BUSHINGS

Welded Flange style

Bushings are designed to IEEE 386 standards with standard interface accepting conventional elbow style connectors. Bushings include a stainless steel flange and an aluminum conductor with 5/8"-11 aluminum threaded stud. Elbows must be ordered separately. 200A deepwell welded flange bushings are also available.

Accessories and Options

Gas Pressure Gauge and Fill Valve (Standard)



The pressure gauge is a “GO-NO-GO” style which is color coded to simplify verification of proper operating conditions. A Schraeder type fill valve permits refilling in the field. The gauge and fill valve are made of brass for corrosion resistance. Both components are protected by a steel guard.

Low Pressure Warning Devices



are factory set at 5 psig and permit remote indication of internal tank pressure. It can also be used for low pressure control lock-out. One Form C contact is provided for wiring by the customer. Recommended for installations where ambient temperature does not fall below 0°F (-15°C).

Temperature Compensated Gas Density Gauge (Optional)



measures internal tank gas density for maximum precision of switch operating conditions. The gauge is colored coded to simplify reading by operating personnel.

SF₆ Density Switches



permit remote indication of internal tank gas density to assure proper pressure/temperature operating conditions. One Form C contact is provided for wiring by the customer. Recommended for installations where ambient temperatures fall below 0°F (-15°C).

VI control window cover (Optional)



The standard control enclosure for pad-mount applications is fiberglass NEMA 4X (IP56) rated. The control is also available with an option for a fiberglass NEMA 4X (IP56) enclosure with a viewing window.

Viewing Windows (Standard)

provide a means to visibly verify switch contact position. Single phase or three phase contact viewing is available.

Ground Lugs (Optional)

are bronze, eyebolt style for 4/0 maximum conductor cable.

For standard components, refer to typical specifications at www.gwelec.com under Resources & Support.

Key Interlocks (Optional)



may be used as an added safety measure to prevent operation by unauthorized personnel or to assure safe coordination of energized equipment.

Switches can be provided with provisions only (two maximum per operating mechanism) or with key interlocks factory installed. Specify locking scheme when ordering, i.e. lock in open, lock in closed or lock in both open and closed position. For key interlocks to be coordinated with other equipment, manufacturer’s information must be provided.

Accessories and Options

OPTIONS

Select from the following options and add to the appropriate switch specification:

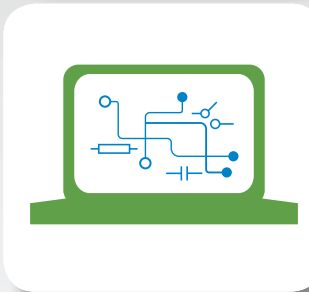
- Stainless steel tank, type 304
- Stainless steel enclosure, type 304 or 316
- Temperature compensating pressure gauge
- Low pressure warning device
- SF₆ density switch
- 4/0 brass ground lug
- Key interlock provisions
- Key interlocks to lock in open position
- Current transformers for load break ways
- Potential transformers for voltage monitoring and/or control power
- Automatic transfer control type ATC451
- Motor actuators for remote switch operation
- Auxiliary switches for remote switch position indication
- Stationary switch controls for remote switch operation and SCADA integration
- Portable switch controls for remote switch operation
- Remote terminal units and communication packages for SCADA integration
- Operation counters
- Voltage sensors with 120 VAC output or a contact to indicate presence of voltage
- 200A deepwell bushings
- 600A apparatus bushings
- 200A voltage sensing bushings
- 600A voltage sensing bushings
- 600A Quik-Change apparatus bushings
- 600A Universal bushings (through 25kV)
- Type 2 vacuum interrupter control including ground fault trip and time delay selector switches (three phase only)
- Type 3 vacuum interrupter control including ground fault trip, inrush restraint, programmable vacuum fluorescent display (VFD)
- Type 4 vacuum interrupter control (same as Type 3 with laptop programming only)
- Clear window cover for Type 1, Type 2, or Type 3 interrupter controls
- Submersible NEMA 6P enclosure or IP68 potted Type 4 for vacuum interrupter control
- SEL relays including 451 and 751A
- ABB relays including REF615, REF620, and REC670
- GE relays including 350, F35, and F60
- External power / trip for vacuum interrupter control
- Refill kit consisting of regulator, hose and SF₆ bottle

G&W offers Technical Support and Services:



Custom Engineering

Our engineers can tailor our products to meet the needs of any application.



Custom Programming

Our automation engineers can provide tailored relay programs to meet any specified needs.



Factory Acceptance Testing

G&W's Factory Acceptance Testing ensures customers' automation solutions are certified to operate properly and meet all requirements prior to being installed in the field.



Training Services

G&W offers a range of training solutions at both G&W facilities and on site.



24 Hour Technical Support

Technical support for G&W products is available 24 hours a day, 7 days a week.



Engineered to order. Built to last.

For more information: gwelec.com
General inquiries by email: info@gwelec.com
Find your local sales representative: gwelec.com
Tel 708.388.5010 Fax 708.388.0755

Catalog S-sf6pad
October, 2018