

Multiple Point Junctions

G&W multiple point junctions provide an extremely compact, versatile solution for loop, tap, grounding, testing or sectionalizing applications requiring multiple connection points for 200A or 600A elbows. Ratings are available through 38kV, 600A. Padmount, vault and subsurface designs are available.

FEATURES

Customizing Capability - G&W specializes in custom solutions to meet the ever changing needs of it's customers. Contact your G&W representative with specific application requirements.

Application Versatility - G&W EPOX® junctions accommodate up to 6 point configurations with any combination of 200A or 600A interfaces for load break elbows. The junctions can eliminate or minimize the requirement for stacking 200A taps on 600A elbows and provide an ideal solution for confined space installations. The flexible design permits integrating interface points for grounding or testing the circuit while mimimizing the movement of cables. Junction points can also be used for arrester locations.

Rugged Construction - G&W's EPOX quality process uses time-proven epoxy resin to assure a void-free, extremely durable system impervious to environmental contamination. The rugged epoxy interfaces minimize the breaking force required for removing separable connectors compared to rubber-to-rubber junctions. The epoxy system provides excellent mechanical and electrical properties, excellent fracture toughness, and outstanding thermal endurance. A permanently bonded, external semi-conducting coating provides a fully shielded, dead front system. Copper buswork provides maximum conductivity. Silicone bronze studs assure high strength connection points.

Mounting Flexibility - An optional stainless steel mounting bracket with tilt feature helps facilitate the most ideal mounting configuration where cable training is a concern. Parking stands are available and can be rotated to match a vertical or horizontal configuration. A retaining plate with "U" straps is available for padmount enclosure installations.

Tested Reliability - G&W junctions are designed and tested to applicable sections of IEEE 386 and IEEE 592 standards. Production tests include X-ray, corona, partial discharge and AC withstand.



Multiple Point Junctions

RATINGS

Voltage Class (kV)	15	25	35
Voltage Rating Phase-to-ground (kV)	8.3	15.2	21.1
Voltage Rating Phase-to-phase* (kV)	14.4	26.3	36.6
BIL Impulse (kV)	95	125	150
Continuous Current (A)	600	600	600
One Minute AC Withstand (kV)	34	40	50
Fifteen Minute DC Withstand (kV)	53	78	103
Corona Extinction at 3 pc sensitivity (kV)	11	19	26

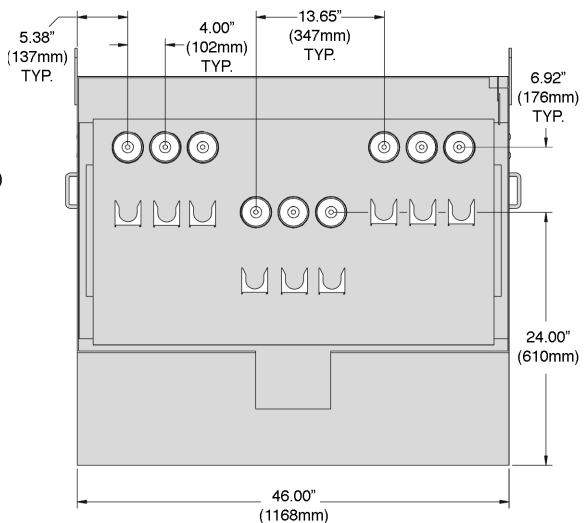
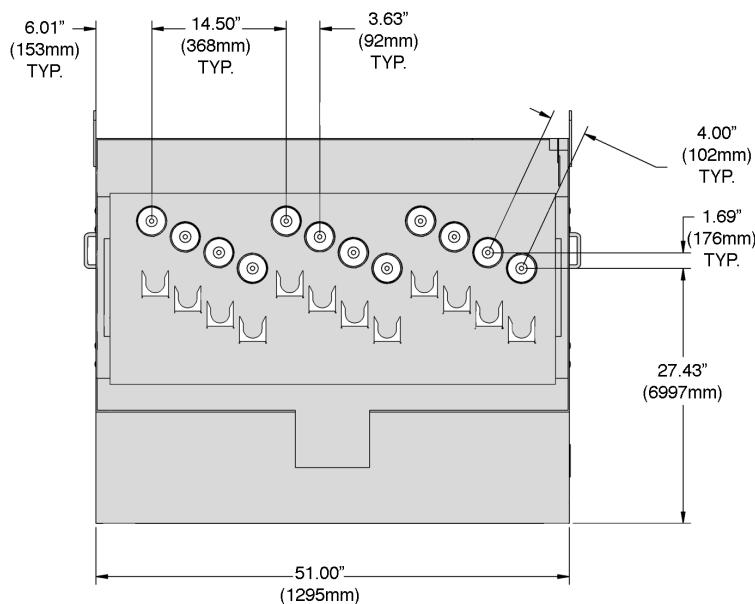
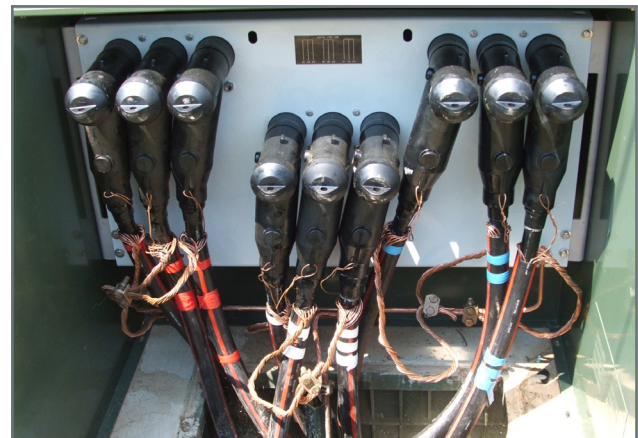
* For sectionalizing cabinets only

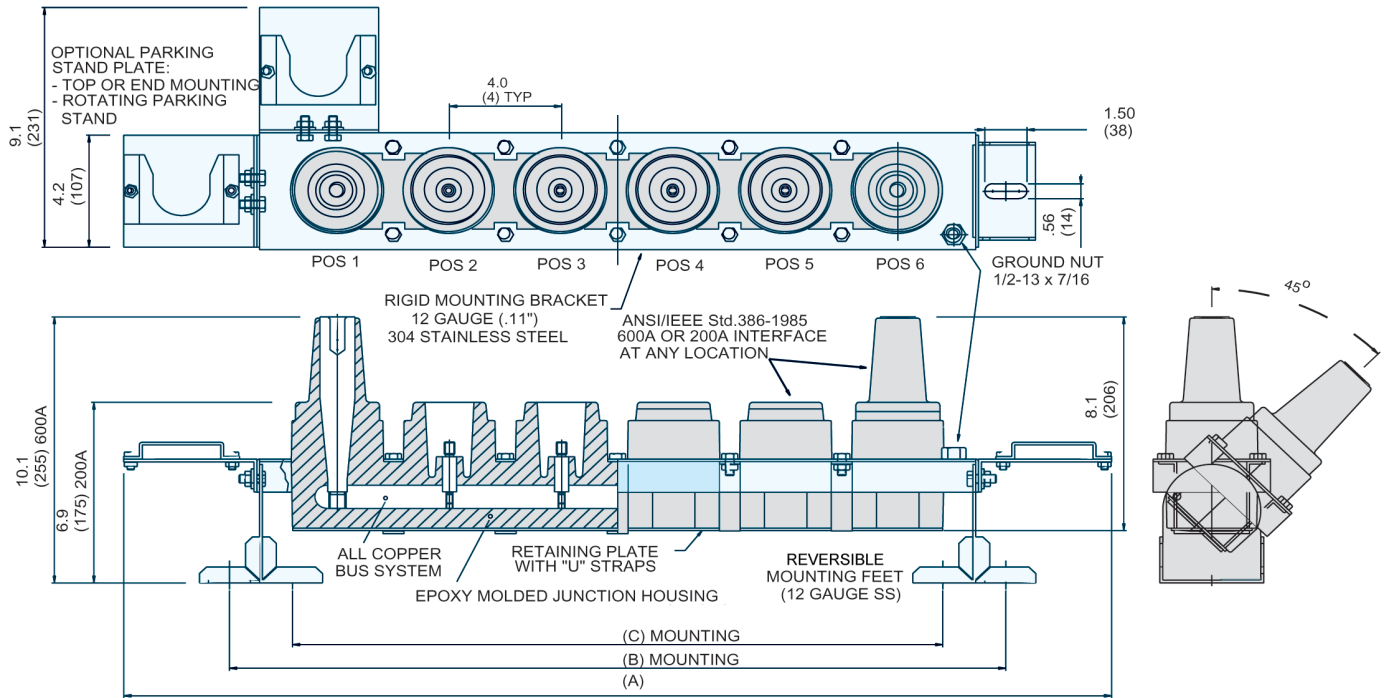


▲ Vacuum interrupter switch provides overcurrent protection while the 600A junctions provide a disconnect point.

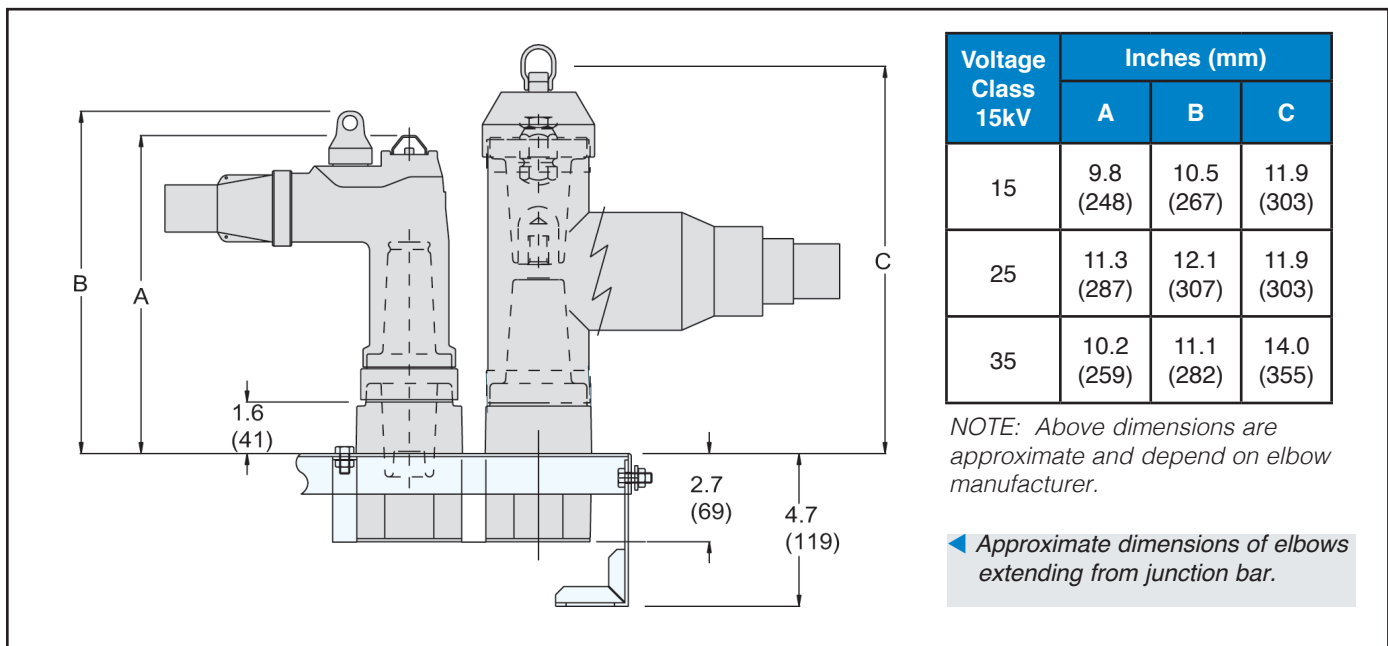
SECTIONALIZING CABINETS

Multiple point junctions can be provided in a sectionalizing cabinet for padmount applications. Configuration below shows typical dimensions for a cabinet incorporating three, 4-position junction bars. Configuration (below, right) and image (right) show typical dimensions for a cabinet incorporating three, 3-position junction bars. Custom configurations are also available (see page 4).

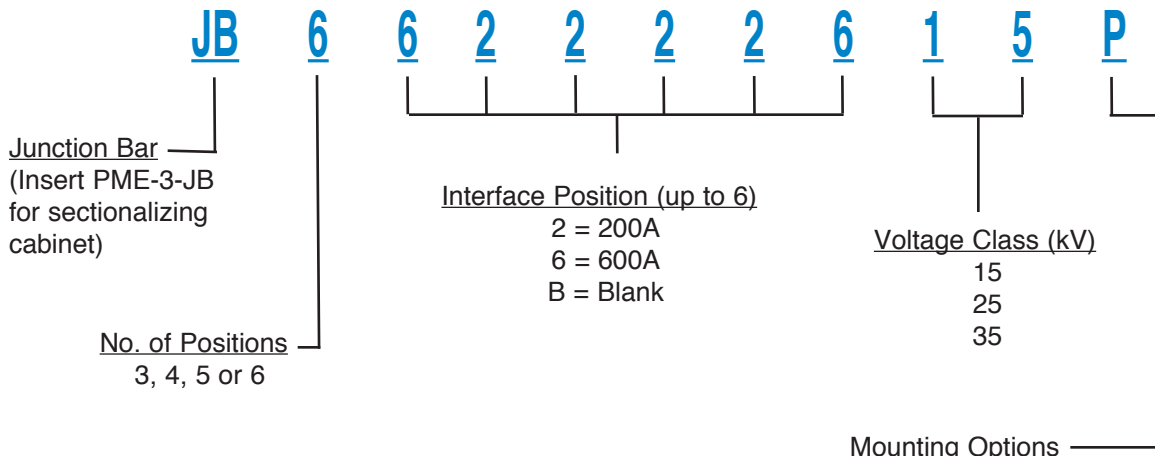




No. of Positions	Model No.	Inches (mm)		
		A	B	C
3	JB3	23.3 (592)	15.7 (399)	11.2 (284)
4	JB4	27.3 (693)	19.7 (500)	15.2 (386)
5	JB5	31.3 (795)	23.7 (602)	19.2 (488)
6	JB6	35.3 (897)	27.7 (704)	23.2 (590)



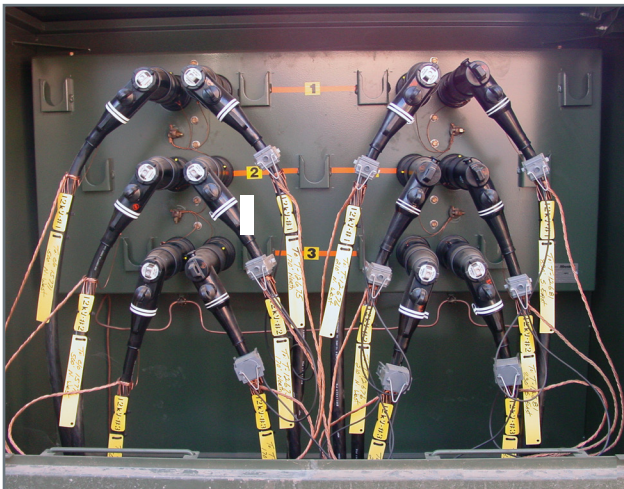
Ordering Information



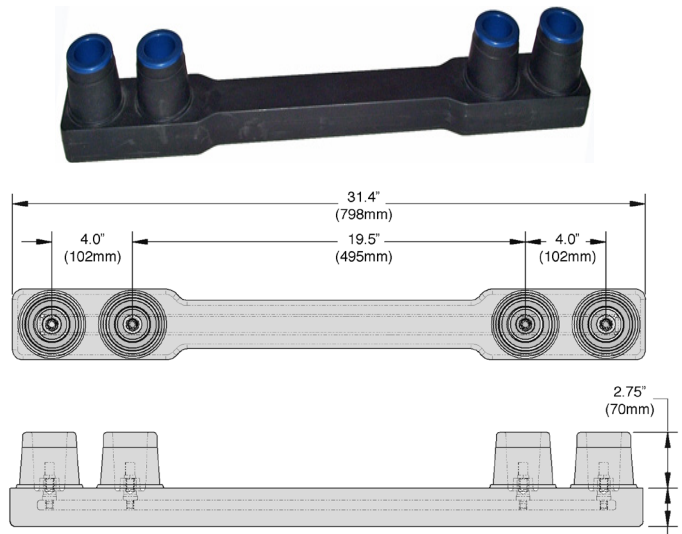
Example 1: Vault mounted, 15kV, 6-position with 600A interface on positions 1 and 6, 200A interface on positions 2, 3, 4 and 5, with mounting bracket and parking stand option. Catalog number would be **JB662222615P**.

Example 2: Sectionalizing cabinet, 27kV, 5-position with 600A interface on positions 1 and 2, 200A interface on positions 3, 4 and 5. Catalog number would be **PME-3-JB5662227P**.

CUSTOM CONFIGURATIONS AVAILABLE



Example of a custom configuration. For junction bar requirements not covered in this catalog, contact your G&W representative.



G&W Electric Company
305 W. Crossroads Pkwy
Bolingbrook, IL 60440-4938 USA
Tel 708.388.5010 Fax 708.388.0755

www.gwelec.com
ISO 9001:2008 Certified
ISO 14001:2004 Certified